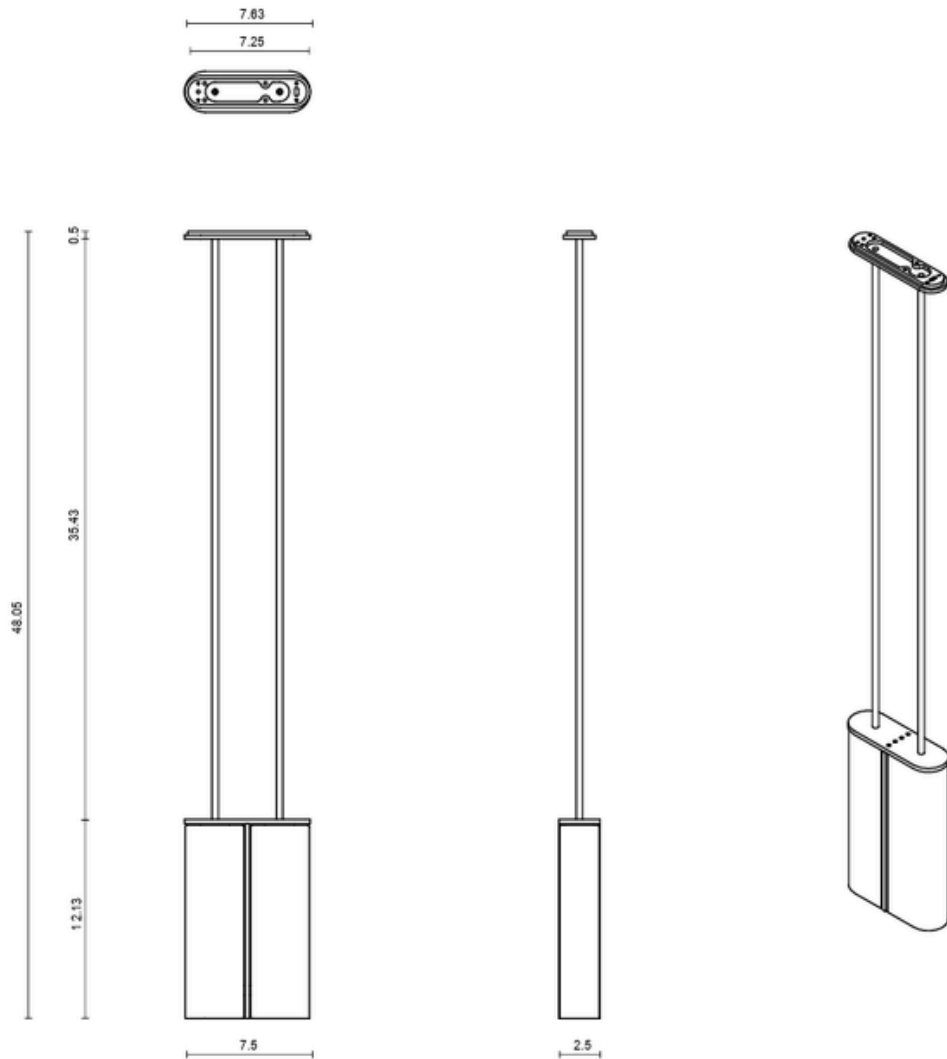


SLIM COLLECTION

PENDANT



25V4

ABOUT SLIM

Slim reinterprets mid-century modernism in its architectural form and refined simplicity.

LEAD TIME

8 - 10 weeks

LIGHT SOURCE

2 x 4.2W LED Board 350mA CC
2700k warm white
800 total lumen output
Dimmable

INSTALLATION

Supplied with external driver and mounting plate to fit 4.0 square Jbox

ROD LENGTH

Rod lengths range between 23.6" (600mm) - 47.25" (1200mm), in increments of 3.94" (100mm)

WEIGHT

11.5 lb

CERTIFICATION STANDARD

UL

WARRANTY

3 years

FITTING FINISHES

Brass
Bronze*
Satin Nickel
Black Electroplate

*As Bronze is a hand applied finish, the depth of colour will vary

SHADE COLOURS

Snow
Grey
Clear
Grey Porcelain
Black Porcelain

ACCESSORIES

Accessories, including custom arms, anchoring brackets, and subtle clips, securing pendants and wall scones in place are available for harsh environments (such as strong wind locations, tropical weather) and ocean-going vessels.

METAL FINISHES



Brass



Bronze



Satin Nickel



Electroplate Black

SHADE COLORS



Clear



Snow



Grey