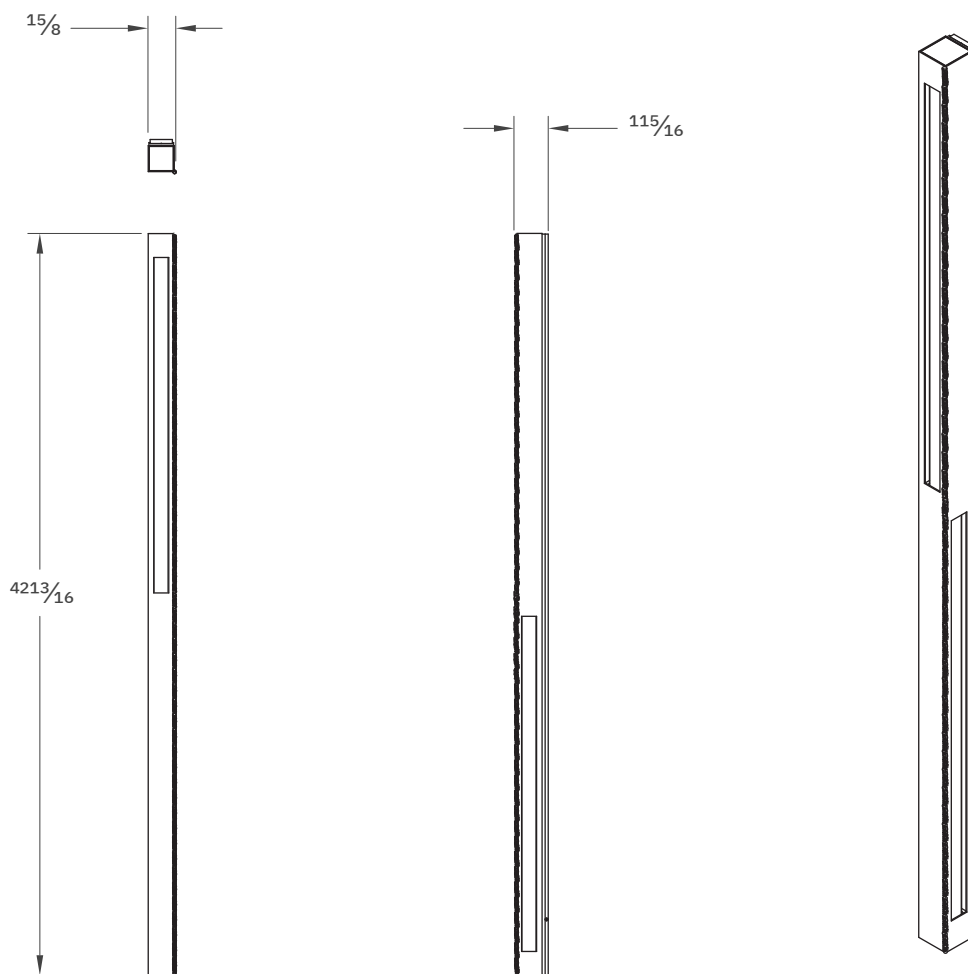


SEAM COLLECTION

STACKEXTRALARGEWALL SCONCE



26V1

ABOUT SEAM

Seam honours the meeting of materials, where joins are celebrated, not concealed.

LEAD TIME

8 - 10 weeks

LIGHT SOURCE

2 x 4W LED boards
800 lumens (total)
2700K warm white
90+ CRI
Dimmable

WEIGHT

12 lb

INSTALLATION

Supplied with external driver and mounting plate (mud ring) to suit 4" x 4" square junction box.

The Seam collection offers installation flexibility — fixtures can be installed as standard or rotated 180 degrees, repositioning design details such as the stainless steel band and expressed weld.

CERTIFICATION

UL

COMPLIANCE

ADA compliant

WARRANTY

3 years

FITTING FINISHES

Brass*

*Subtle pitting and surface marks may appear near weld areas reflecting the natural character of the fabrication process rather than imperfection.

SHADE COLOURS

Clear

