

MARTIN HUXFORD

OAK LEAF PENDANT

The magical Oak Leaf Pendant light sculpture by Martin Huxford brings the warmth and wildness of the British countryside into the home. This storied pendant is steeped in the ancient myths of the Oak tree and its rural landscape, adding elemental character and atmosphere to interiors.

Shown in Plaster White.

Dimensions

Tall	Short
Height 74cm 29"	Height 74cm 29"
Diameter 35cm 14"	Diameter 35cm 14"
Weight 13kg 29lbs	Weight 12kg 27lbs

Finishes

Plaster White

Materials

Hand-cast Jesmonite

Dimming

Yes

Lamping

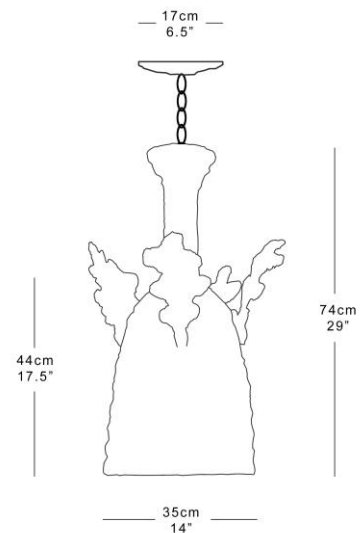
E26 LED Max 12W 120V

Unique sculpture individually hand crafted.

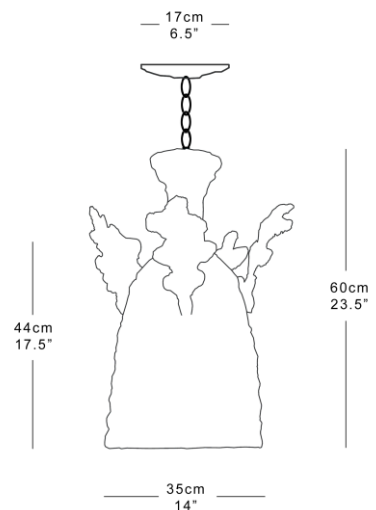
Handmade in England



TALL



SHORT



MARTIN HUXFORD

OAKLEAF PENDANT
Ceiling Fixing

