

Moonstone Pendant Dome Linen 140

MSPEDL140

 IP20

Materials

Handmade fiberglass with marble dust finish, thermoformed acrylic inglobed with linen fabric.

Weight incl. canopy

~48.3 lbs

Power Input

110-120V 50-60Hz

Light Source (not included)

9x E26 Lightbulb, maximum 21W



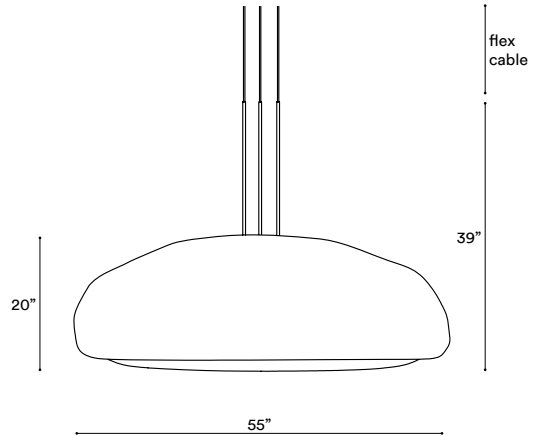
MOONSTONE DOME LINEN 140

CONFIGURATION

STEP 1 - CHOOSE YOUR METAL FINISH



SIZE (UNIT: IN)



STEP 2 - CHOOSE YOUR SUSPENSION TYPE

SUSPENSION TYPE



Black Fabric Flex Cable

Drop height adjustable on site:

- 4M
- 10M



White Fabric Flex Cable

Drop height adjustable on site:

- 4M
- 10M



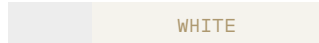
Metal tube

Specify your Drop height in inches to our sales team.
No cable showing
Not adjustable on site
Min. Drop H.: 30.5"

MADE TO ORDER

+ Single canopy.

Ø7" X H2"



*Custom Canopy Colour
(RAL Classic) available on request

Brushed Brass

Brass hand finished with horizontal brushing. Protected with a semi-gloss transparent coating.

Brushed Bronze

Brass with accelerated aging to become a bronze finish. Hand finished with horizontal brushing. Protected with a semi-matt transparent coating.

Blackened Brass

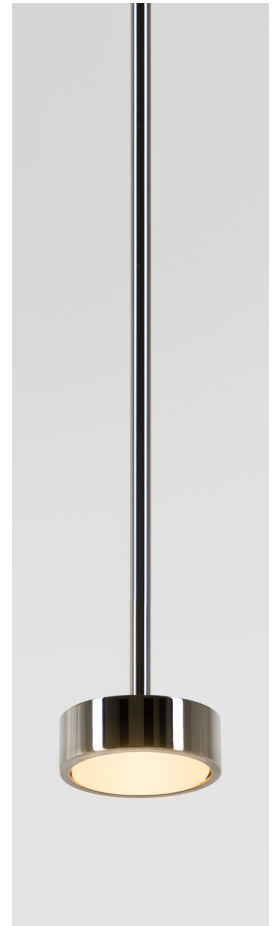
Brass with accelerated aging to become an extra dark chocolate finish. Hand finished with horizontal brushing. Protected with a semi-matt transparent coating.

Brushed Nickel

Electroplated nickel over Brass with horizontal brushing. Protected with a semi-gloss transparent coating.

Polished Nickel

Electroplated Nickel over polished brass. Protected with a semi-gloss transparent coating.



Custom Finish

Our products can be customized with most metal finishes, please check with our design advisors if you have any particular requirement.

Please advise if our products are to be installed close to air conditioning vents or in windy or salty air conditions.