

# Moonstone Pendant Dome

MSPEDM

 IP20

## Materials

Handmade fiberglass with marble dust finish, thermoformed glass with handmade Battuto finish.

## Weight incl. canopy

~16.6 lbs

## Power Input

110-120V 50-60Hz

## Light Source (not included)

4x E26 Lightbulb, maximum 21W



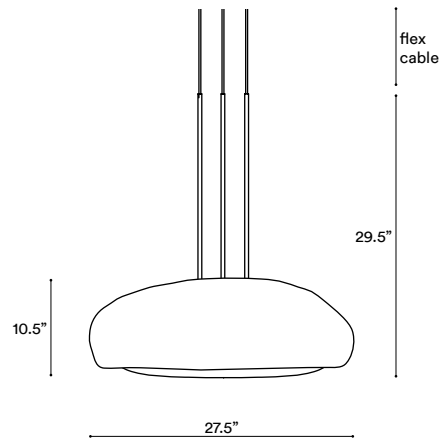
MOONSTONE DOME 70

## CONFIGURATION

### STEP 1 - CHOOSE YOUR METAL FINISH



### SIZE (UNIT: IN)



### STEP 2 - CHOOSE YOUR SUSPENSION TYPE

### SUSPENSION TYPE



#### Black Fabric Flex Cable

Drop height adjustable on site:

157"

393"



#### White Fabric Flex Cable

Drop height adjustable on site:

157"

393"



#### Metal tube

Specify your Drop height in inches to our sales team.

No cable showing  
Not adjustable on site  
Min. Drop H.: 20.5"

MADE TO ORDER

+ Single canopy.

Ø7" X H2"



\*Custom Canopy Colour  
(RAL Classic) available on request

## Brushed Brass

Brass hand finished with horizontal brushing. Protected with a semi-gloss transparent coating.

## Brushed Bronze

Brass with accelerated aging to become a bronze finish. Hand finished with horizontal brushing. Protected with a semi-matt transparent coating.

## Blackened Brass

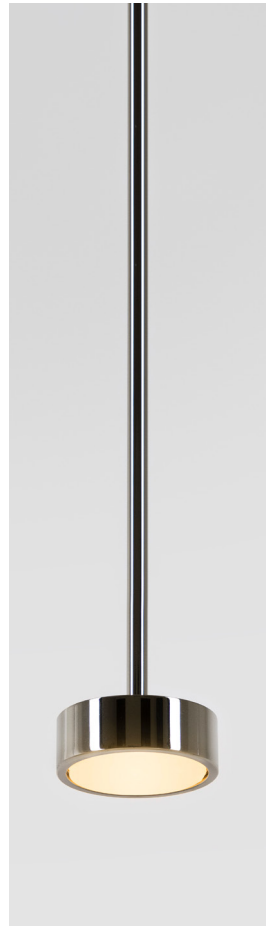
Brass with accelerated aging to become an extra dark chocolate finish. Hand finished with horizontal brushing. Protected with a semi-matt transparent coating.

## Brushed Nickel

Electroplated nickel over Brass with horizontal brushing. Protected with a semi-gloss transparent coating.

## Polished Nickel

Electroplated Nickel over polished brass. Protected with a semi-gloss transparent coating.



## Custom Finish

Our products can be customized with most metal finishes, please check with our design advisors if you have any particular requirement.

Please advise if our products are to be installed close to air conditioning vents or in windy or salty air conditions.