



# WILLIAM GUILLON

**LV-426**  
HORIZONTAL CHANDELIER  
4 DIFFUSERS

## *DIMENSIONS*

Height: 122cm (48 inches)  
Length: 152cm (60 inches)

- All dimensions are customizable -

## *WEIGHT*

25kg (55,1lbs)

## *MATERIALS*

Cast Bronze  
Porcelain

## *FINISH*

Dark polished patina.  
Hand sculpted texture  
(will vary for each piece).

## *LEAD TIME*

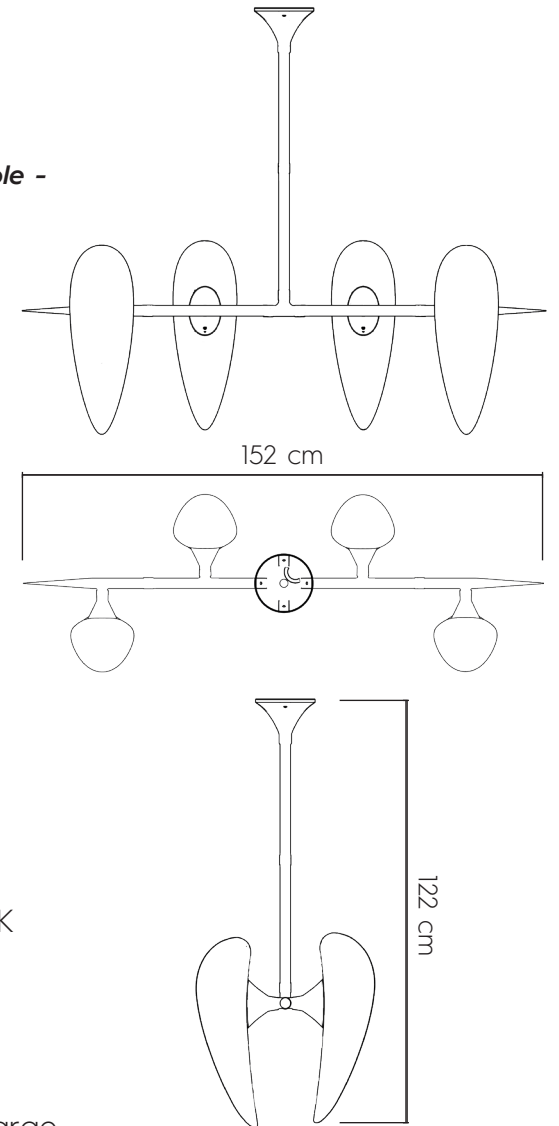
12 weeks excl. shipping

## *ILLUMINATION*

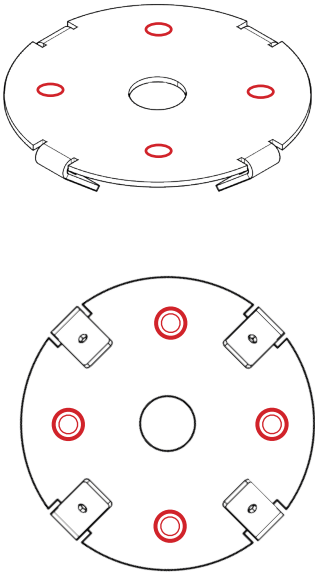
4 LED bulbs, E26, 12W, 2700K  
1800 lumens each

## *CERTIFICATIONS*

CE certified  
UL listing available at surcharge

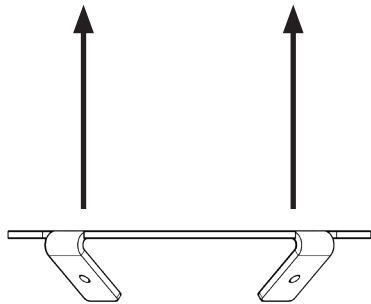


## CEILING MOUNTING GUIDE



**STEP 1 - CANOPY**  
TOP VIEW

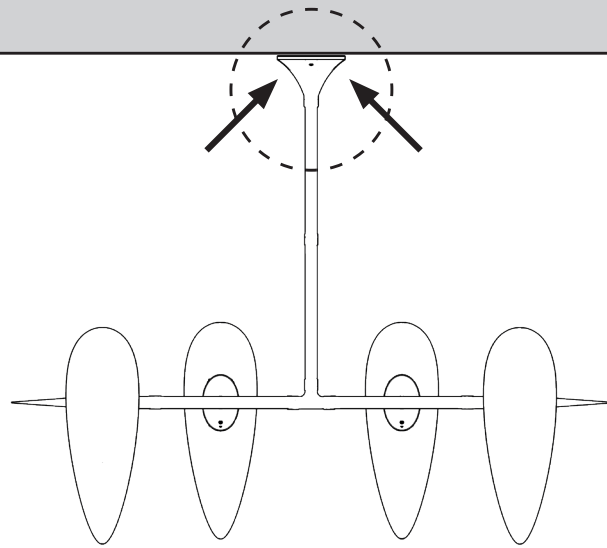
Drill the holes to your convenience on the stainless steel canopy.



**STEP 2 - ROOF MOUNTING**  
FRONT VIEW

Mount the canopy on your ceiling.  
(screws not provided)

MORE DETAILS ON THE NEXT PAGE



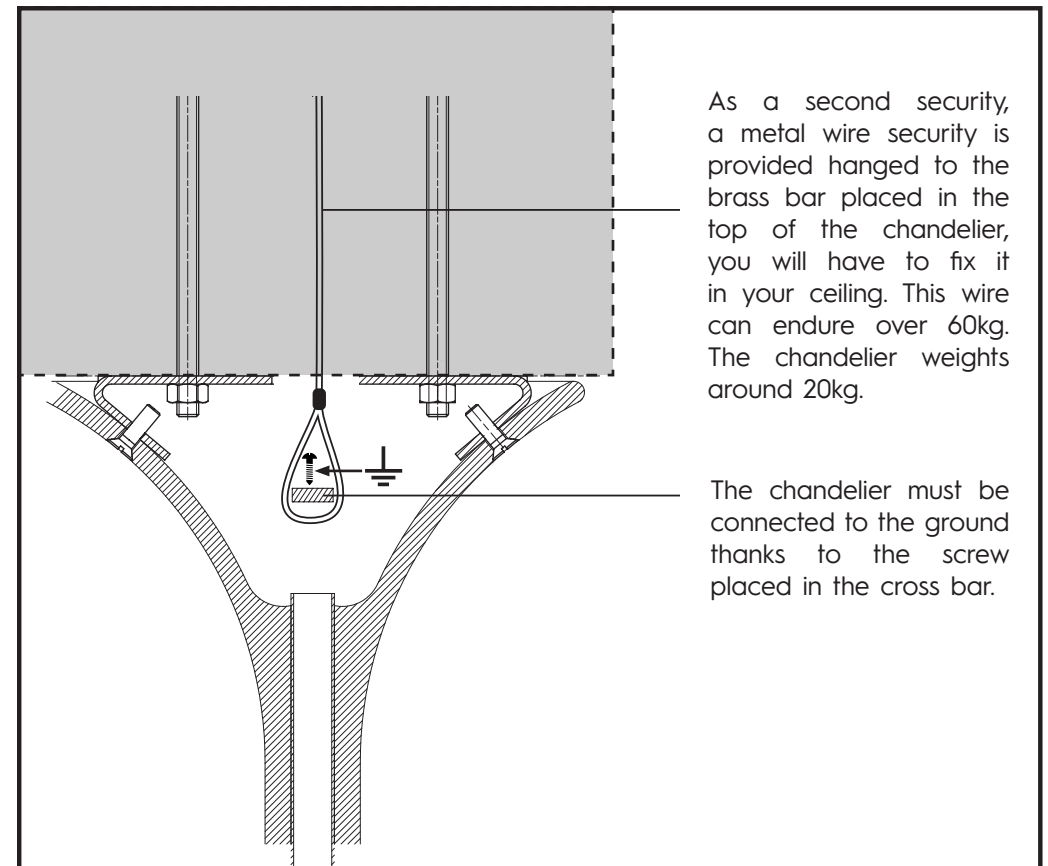
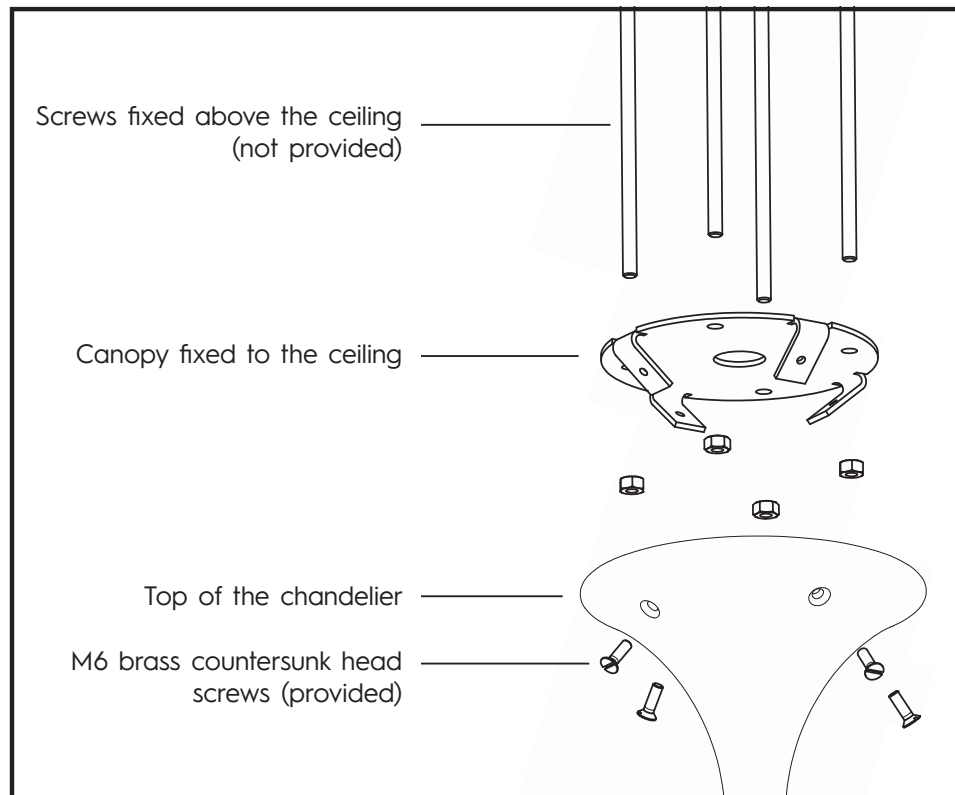
**STEP 3 - ROOF MOUNTING**  
FRONT VIEW

Mount the chandelier on the already mounted canopy using the four provided brass screws.

## CEILING MOUNTING GUIDE

This chandelier must be installed by a professional.

The chandelier is provided with the canopy assembled to the object, you have to unscrew it to fix it to your ceiling.



## DIFFUSER MOUNTING GUIDE

To install your diffuser properly just incline it slowly to let the bulb and the socket enter in and place it on the joint provided for this purpose. Then, you will just have to screw the M6 screw placed at the back of the bronze arm a little bit to secure its installation. If you want to remove your diffuser later, don't forget to unscrew it before.

