

GARDE

LUCIE SCONCE

The hand sculpted Lucie sconce is both elegant and modern in its simplicity, and classical in its sculptural outline. In sculpting the piece, Martin has paid particular attention to the surface marks and texture of the gently graduated bowl shape, and the smaller foot beneath.

Dimensions

Height 21cm 8.5"

Width 22cm 8.5"

Depth 28cm 11"

Weight 2Kg 4.5lbs

Materials & Finishes

Hand made in cold cast bronze, cold cast dark bronze, cast white plaster with eco resin.

Dimming

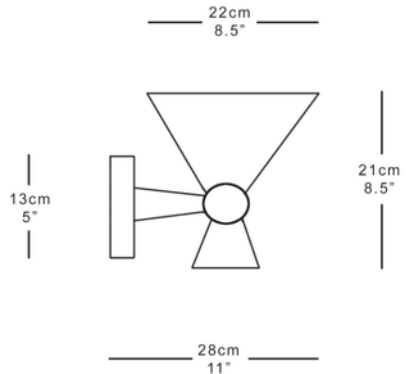
Yes

Lamping

E12 LED Golfball Max 7W 120V



Handmade in England



GARÐE

WALL FITTING

