

WORKSTEAD



INDUSTRIAL CHANDELIER

WORKSTEAD

INDUSTRIAL CHANDELIER

hardwired

Description

The INDUSTRIAL CHANDELIER is a distilled interpretation of 19th century factory lighting. Composed of slender metal tubing, hand-cast adjustable clamps and cloth-covered cord, the piece serves as moveable sculpture, re-centering the eye based on configuration. Assembled horizontally, it hangs 30" from the ceiling. Vertically, it can range from 30" to 60". UL Listed. Damp Rated.

Finish Options

Industrial Black
Hewn Brass

Dimensions

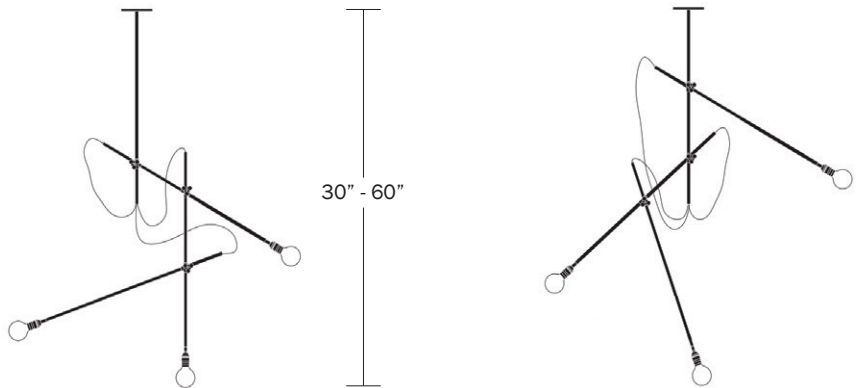
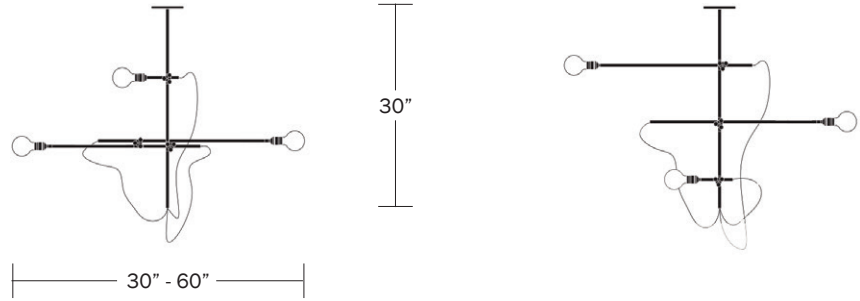
Vertical Stem - 30"
Horizontal Arms - 30"
Canopy Diameter - 5.25"
Adjustable Overall Height - 30" - 60"

Weight

13 lbs

Lamp

60 Watt Incandescent Max Per Socket
6W Dimmable LED Bulbs Included
3" Diameter With Porcelain Finish
50 Watt Equivalent Each
1620 Total Lumens
2700K Color Temperature
Bulb Life 30,000 Hours
110/120V, E26
220/240V, E27
UL/CE Listed
Damp Rated



WORKSTEAD

