



WORKSTEAD

hieroglyph pendant

WORKSTEAD



HIEROGLYPH PENDANT
natural oak

WORKSTEAD



HIEROGLYPH PENDANT
painted white

WORKSTEAD

HIEROGLYPH PENDANT

Description

The HIEROGLYPH PENDANT is composed of nested wood cylinders - the foundational elements of our popular and versatile LODGE collection. The 9-bulb fixture makes a striking luminous statement, referencing essential abstract forms of the De Stijl movement, as well as the figurative language from which it takes its name. Available with a fixed metal rod in three standard overall heights. Custom heights available. UL Listed. Damp Rated.

Finish Options

- Natural Oak
- Oxidized Ash
- Painted White
- Painted Gray
- Painted Yellow
- Hewn Brass
- Hand Finished Bronze
- Brushed Nickel

Dimensions

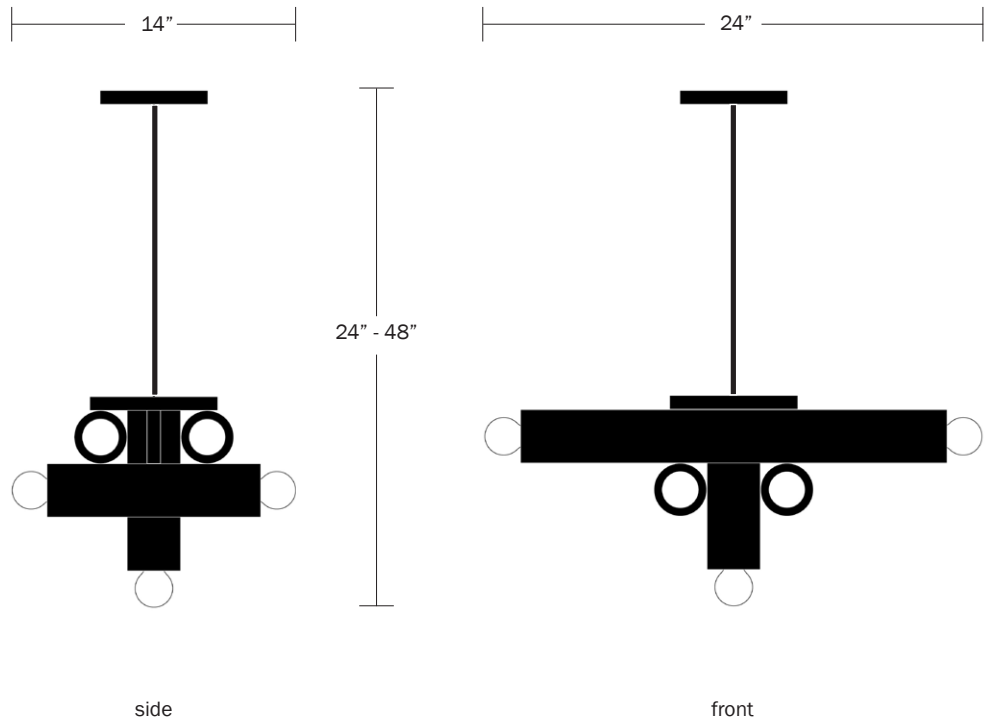
- Rod Option - Small - 24"
- Medium - 36"
- Large - 48"
- Rod Diameter - 1/2"
- Depth - 14"
- Width - 24"
- Canopy Diameter - 5"
- Custom Heights Available

Weight

20 lbs

Lamp

- 25 Watt Incandescent Max Per Socket
- (9) Tala Sphere | E12 Bulbs Included
- 2" Diameter | 3.8 Watts
- 220 Total Lumens
- 2000-2800K Color Temperature
- Bulb Life 15,000 Hours
- 110/120V, E12
- 220/240V, E14
- UL/CE Listed
- Damp Rated



WORKSTEAD

