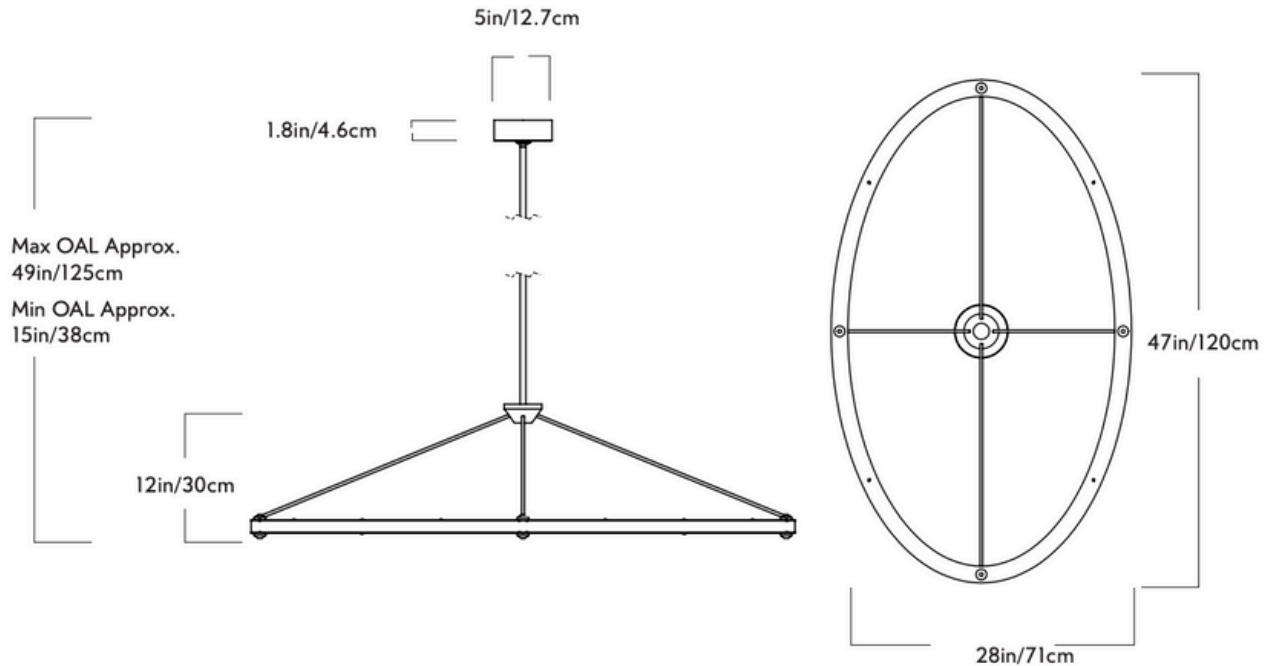


GARDE



Halo

Series

Halo

Product

Pendant - Oval

Dimensions

L 47in/120cm x W 28in/71cm x
H 12in/30cm

Weight

14lb/6.4kg

Materials

Steel, acrylic

Oval Pendant

Finishes

Blackened steel, oil-rubbed bronze,
polished nickel, brushed brass

Suspension

1/2-inch steel stem in matching metal
finish. 35-inch length included with
lamp. 72-inch length available
for additional cost. Stem length can
be adjusted on site.

Canopy

5-inch round in matching metal finish

Ceiling Slope

0° mounting slope.
Up to 90° variable hang-straight
available upon request.

Certifications

UL, cUL (120V)
CE, CB (240V)

120/277V Illumination

Integrated LED
Wattage: 27 Watts
Lumens: 1300 Lumens est.
Color Temperature: 2700 K, 90+ CRI
LED Lifetime: 50,000 hours est.
Dimming: 120V - TRIAC, ELV, 0-10V
277V - 0-10V only

240V Illumination

Integrated LED
Wattage: 27 Watts
Lumens: 1300 Lumens est.
Color Temperature: 2700 K, 90+ CRI
LED Lifetime: 50,000 hours est.
Dimming: 0-10V
(DALI dimming available upon request)

Driver location

Driver located in canopy

Fixture Mounting

Designed to be mounted on standard
4in. Electrical Box.
Two #8-32 screws included.
Additional mounting hardware provided
for 240V versions.