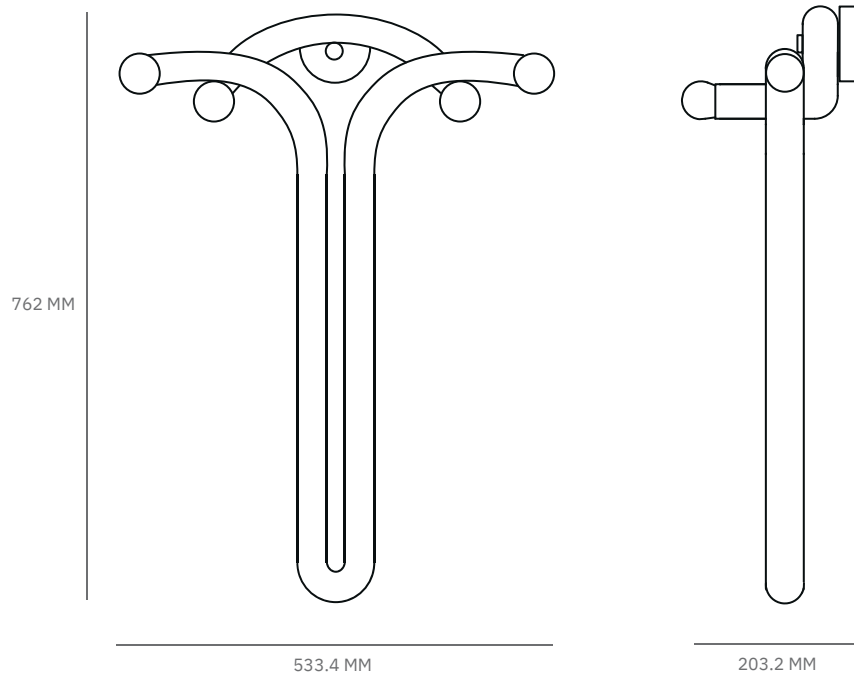


PAUL MATTER

GODDESS SCONCE WALL SCONCE



P.CODE:
PMGS

DIMENSIONS:
762 MM H x 533.4 MM W

WEIGHT:
4 KGS

LAMPING:
4 TYPE E14 SCREW BASE
3W LED, WARM WHITE - 2700K
MATTE PORCELAIN FINISH
CE CERTIFIED, VOLTAGE 220V - 240V
DIMMABLE

MATERIALS:
BRASS AND PORCELAIN FINISH GLASS

CUSTOM FINISHES:
1. AGED BRASS
2. BURNT BRASS
3. RAW BRASS
4. SILVERED BRASS

LEAD TIME:
8 WEEKS
FINISHED AND ASSEMBLED BY HAND

