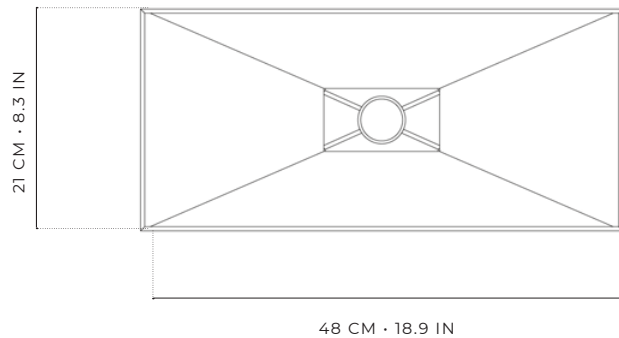
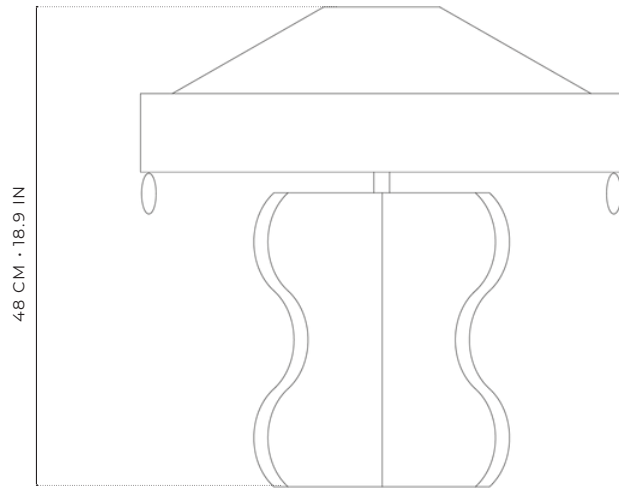


GARDE

GIZA TABLE LAMP

The Giza table lamp features a pyramid-shaped shade in fabric Samuel & Sons pearls. The base is made of two interlocking pieces with undulating curves in solid wood.



DETAILS	
MATERIALS	WOOD, FABRIC, SILK TRIMMING
PRODUCTION	FRANCE, ITALY
LIGHT SOURCE	1 × E26 BASE LED BULB (NOT INCLUDED)
DIMMER	DIMMABLE WITH COMPATIBLE DIMMER AND DIMMABLE BULB
MAX WATTAGE	10 W
NOMINAL VOLTAGE	110-120 V AC, 60 HZ
CERTIFICATION	UL
INSTALLATION	PLUG-IN / TABLE MOUNTED
WEIGHT	4 KG / 8.8 LBS
IP RATING	IP20
USAGE CONDITIONS	SUITABLE FOR DRY LOCATIONS ONLY

GARDE

GIZA TABLE LAMP

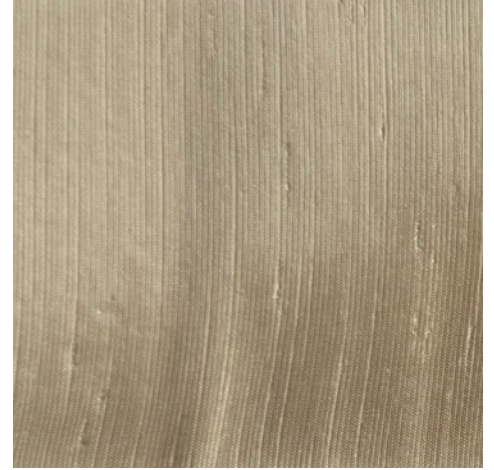
FABRIC



CHEYENNE - LINEN - PIERRE FREY
The full range of colors is available



CHINON II - RAW SILK - DESIGNERS GUILD
The full range of colors is available



CHAVIÈRES - POLYESTER - DESIGNERS GUILD
The full range of colors is available
Fire-retardant treated fabric

WOOD ESSENCE



SUCUPIRA