

# Gem Pendant Cluster 09

GMPECU09



**Materials**

Hand blown corroded borosilicate glass and hand finished or electroplated brass.

**Weight incl. canopy**

~20 lbs

**Power Input**

110-120V 50-60Hz

**Light Source (included)**

9 Proprietary Gem LEDs.  
20W, 1860 Lumens, 2700K warm white. CRI>95.

Optional Downlight available on request,  
2.2W, 206 Lumens

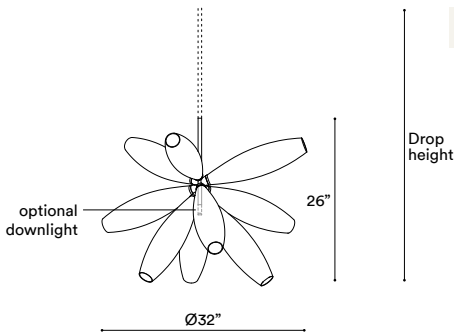


GEM PENDANT CLUSTER 09

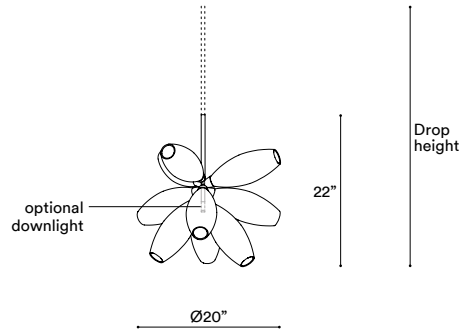
CONFIGURATION

STEP 1 - CHOOSE YOUR SIZE

SIZE (UNIT: IN)



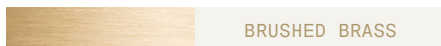
CLUSTER 09



CLUSTER 09 SMALL

STEP 2 - CHOOSE YOUR METAL FINISH

METAL FINISH



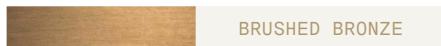
BRUSHED BRASS



BLACKENED BRASS



POLISHED NICKEL



BRUSHED BRONZE



BRUSHED NICKEL

STEP 3 - CHOOSE YOUR GLASS FINISH

GLASS



CORRODED



MIST

**Metal tube to order**

Specify your Drop height in cm to our sales team.

Note:

No cable showing

Not adjustable on site.

Drop Height Minimum: 28"/26"

MADE TO ORDER

**Drop Height Kit**

Note:

No cable showing, Adjustable on site

Drop Height min.: 30"/28",

max.: 91"/89" by combining five tubes of different length from 2" to 31.5"

DROP HEIGHT KIT

+ **Single canopy with built-in phasecut driver.** Recommended.

Ø7" X H2"



MATCHING FINISH

PHASECUT

+ **Single canopy with built-in driver and alternative dimmable standards,** if required by electrician.

Ø7" X H2"



MATCHING FINISH

1-10 VOLT

## Brushed Brass

Brass hand finished with horizontal brushing. Protected with a semi-gloss transparent coating.

## Brushed Bronze

Brass with accelerated aging to become a bronze finish. Hand finished with horizontal brushing. Protected with a semi-matt transparent coating.

## Blackened Brass

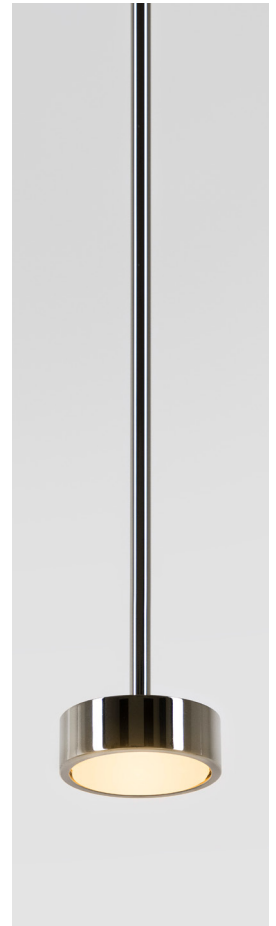
Brass with accelerated aging to become an extra dark chocolate finish. Hand finished with horizontal brushing. Protected with a semi-matt transparent coating.

## Brushed Nickel

Electroplated nickel over Brass with horizontal brushing. Protected with a semi-gloss transparent coating.

## Polished Nickel

Electroplated Nickel over polished brass. Protected with a semi-gloss transparent coating.



## Custom Finish

Our products can be customized with most metal finishes, please check with our design advisors if you have any particular requirement.

Please advise if our products are to be installed close to air conditioning vents or in windy or salty air conditions.