

Moonstone Dome Linen 90

MSPEDL90

 IP20

Materials

Handmade fiberglass with marble dust finish, thermoformed acrylic inglobed with linen fabric.

Weight incl. canopy

~23 lbs

Power Input

110-120V 50-60Hz

Light Source (not included)

5x E26 Lightbulb, maximum 21W



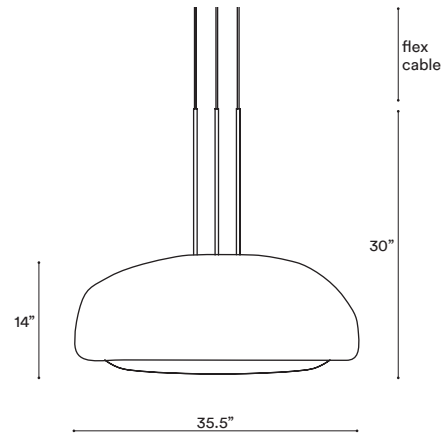
MOONSTONE DOME LINEN 90

CONFIGURATION

STEP 1 - CHOOSE YOUR METAL FINISH



SIZE (UNIT: IN)



STEP 2 - CHOOSE YOUR SUSPENSION TYPE

SUSPENSION TYPE



Black Fabric Flex Cable

Drop height adjustable on site:

4M

10M



White Fabric Flex Cable

Drop height adjustable on site:

4M

10M



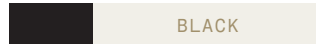
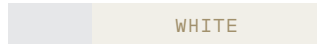
Metal tube

Specify your Drop height in inches to our sales team.
No cable showing
Not adjustable on site
Min. Drop H.: 24.5"

MADE TO ORDER

A. We provide a D170 canopy as standard. Canopy is available in the following finishes:

D170 | Ø7" X 2"



*Custom Canopy Colour
(RAL Classic) available
on request