

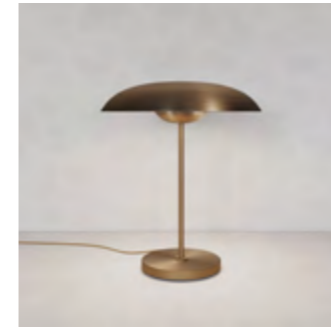
ATELIER
001



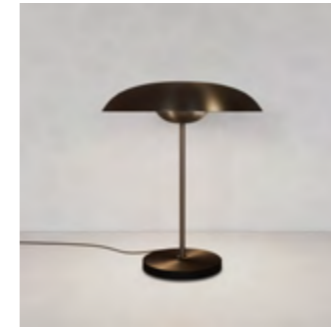
COSMIC COLLECTION

SOLSTICE TABLE LIGHTS

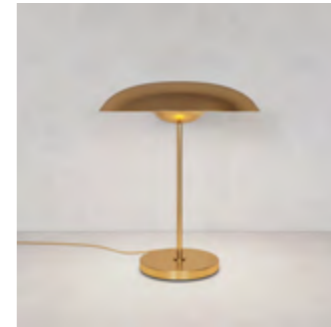
ORE



NOIR

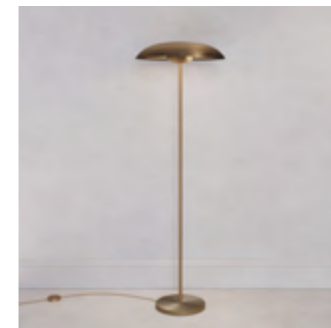


AURUM

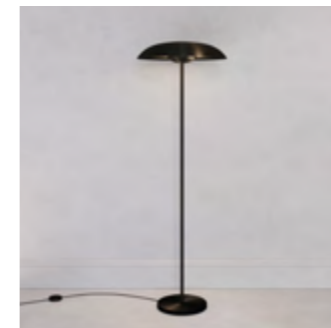


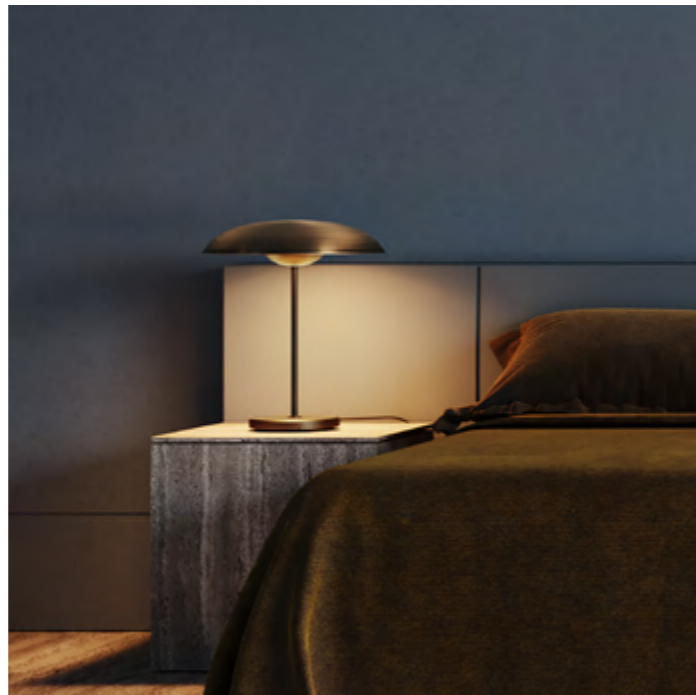
SOLSTICE FLOOR LIGHTS

ORE X



NOIR X





ATELIER 001

COSMIC COLLECTION



SOLSTICE ORE

DIMENSIONS
Ø 40cm (15.7") | Height 47cm (18.5")

WEIGHT
6kg (13.2lbs)

MATERIALS
Satin brass framework
Hand-spun brass plate

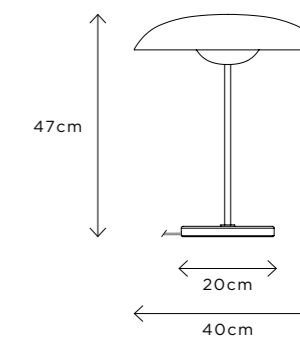
FINISH
Bronze patina gradient;
Please note that each piece is hand-
finished and will vary slightly in
patterns and textures.

LEAD TIME
12-14 weeks excl. shipping

ILLUMINATION
Integrated LED (No bulb required)
LED colour temperature 3000K
LED mains dimmable
Output 350mA 16W 1500lm
Input 120/240V
50,000 hours rated life

SWTICH
Plug with dimmer switch.

REGION
CE certified;
UL listing available at a surcharge.





ATELIER 001

COSMIC COLLECTION



SOLSTICE NOIR

DIMENSIONS
Ø 40cm (15.7") | Height 47cm (18.5")

WEIGHT
6kg (13.2lbs)

MATERIALS
Dark bronze framework
Hand-spun brass plate

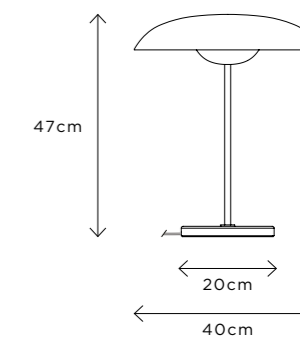
FINISH
Dark bronze patina;
Please note that each piece is hand-finished and will vary slightly in patterns and textures.

LEAD TIME
12-14 weeks excl. shipping

ILLUMINATION
Integrated LED (No bulb required)
LED colour temperature 3000K
LED mains dimmable
Output 350mA 16W 1500lm
Input 120/240V
50,000 hours rated life

SWTICH
Plug with dimmer switch.

REGION
CE certified;
UL listing available at a surcharge.





ATELIER 001

COSMIC COLLECTION



SOLSTICE AURUM

DIMENSIONS
Ø 40cm (15.7") | Height 47cm (18.5")

WEIGHT
6kg (13.2lbs)

MATERIALS
High polished brass framework
Hand-spun brass plate

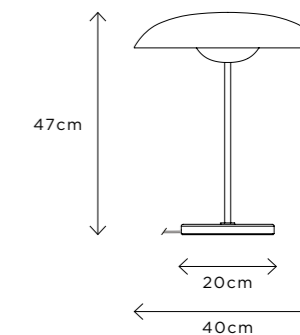
FINISH
High polished brass;
Please note that each piece is hand-
finished and will vary slightly in
patterns and textures.

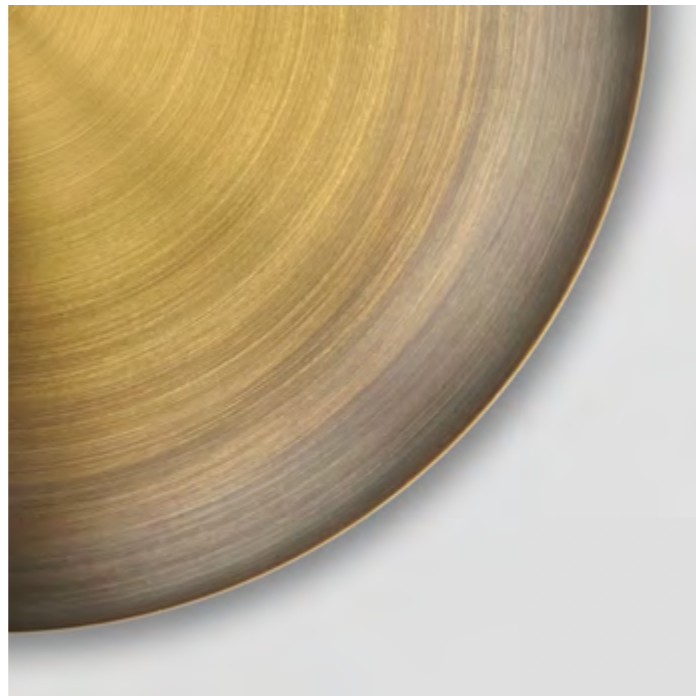
LEAD TIME
12-14 weeks excl. shipping

ILLUMINATION
Integrated LED (No bulb required)
LED colour temperature 3000K
LED mains dimmable
Output 350mA 16W 1500lm
Input 120/240V
50,000 hours rated life

SWITCH
Plug with dimmer switch.

REGION
CE certified;
UL listing available at a surcharge.





ATELIER
001

COSMIC COLLECTION



SOLSTICE ORE X

DIMENSIONS
Ø 50cm (19.7") | Height 150cm (59.1")

WEIGHT
9kg (19.8lbs)

MATERIALS
Satin brass framework
Hand-spun brass plate

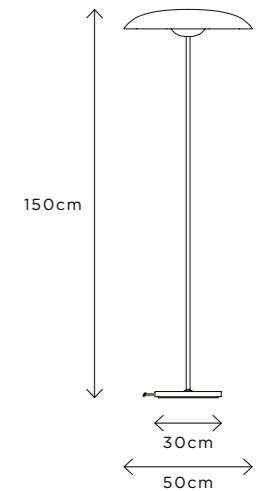
FINISH
Bronze patina gradient;
Please note that each piece is hand-
finished and will vary slightly in
patterns and textures.

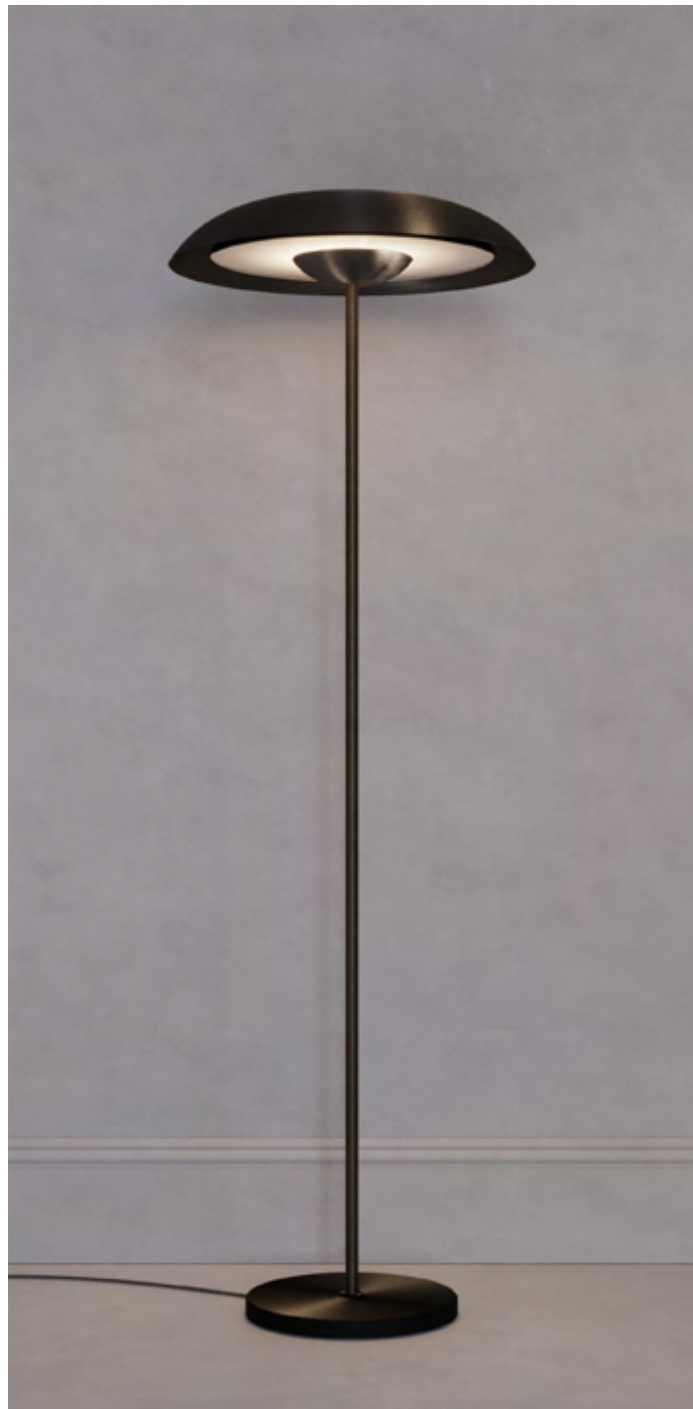
LEAD TIME
12-14 weeks excl. shipping

ILLUMINATION
Integrated LED (No bulb required)
LED colour temperature 3000K
LED mains dimmable
Output 350mA 16W 1500lm
Input 120/240V
50,000 hours rated life

SWTICH
Plug with dimmer switch.

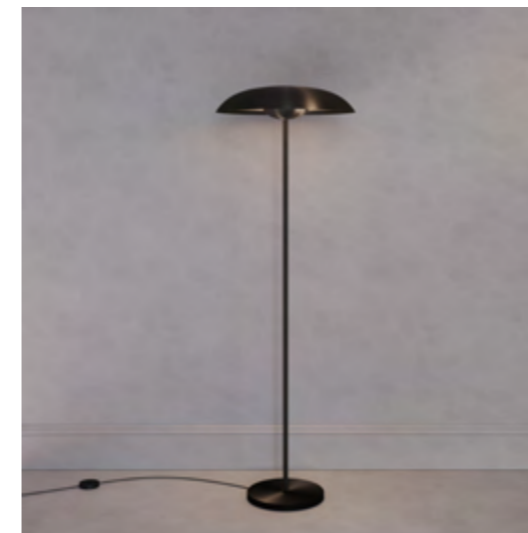
REGION
CE certified;
UL listing available at a surcharge.





ATELIER
001

COSMIC COLLECTION



SOLSTICE NOIR X

DIMENSIONS

Ø 50cm (19.7") | Height 150cm (59.1")

WEIGHT

9kg (19.8lbs)

MATERIALS

Dark bronze framework
Hand-spun brass plate

FINISH

Dark bronze patina;
Please note that each piece is hand-
finished and will vary slightly in
patterns and textures.

LEAD TIME

12-14 weeks excl. shipping

ILLUMINATION

Integrated LED (No bulb required)
LED colour temperature 3000K
LED mains dimmable
Output 350mA 16W 1500lm
Input 120/240V
50,000 hours rated life

SWITCH

Plug with dimmer switch.

REGION

CE certified;
UL listing available at a surcharge.

