

# MARTIN HUXFORD

## FACET CHANDELIER

The Facet is a major new centrepiece chandelier, handcrafted in bronze and alabaster. Four decorative faceted pieces of sculpted bronze are positioned around the suspended ring of illuminated alabaster, creating a unique lighting focal point.

Shown in Dark Bronze.

### Dimensions

Height 20cm 8"

Diameter 114cm 45"

Weight 32kg 70lbs

### Finishes

Bronze, Dark Bronze

### Materials

Alabaster, Cold cast Bronze

### Dimming

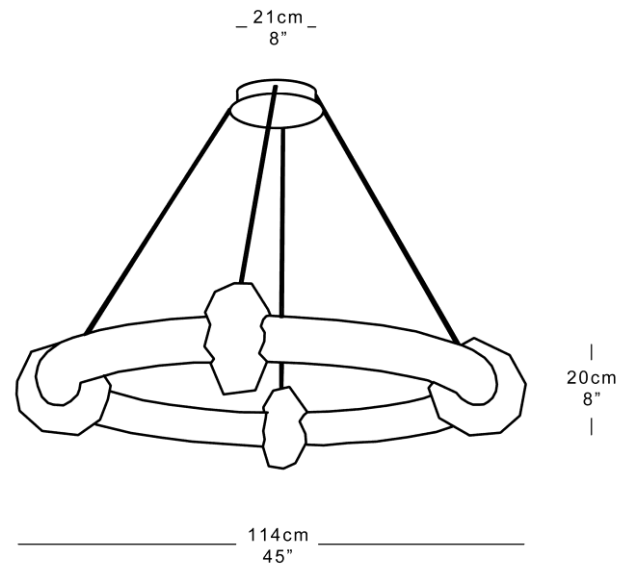
Triac leading or trailing edge

### Lamping

Integrated 60W LED light tube 24V

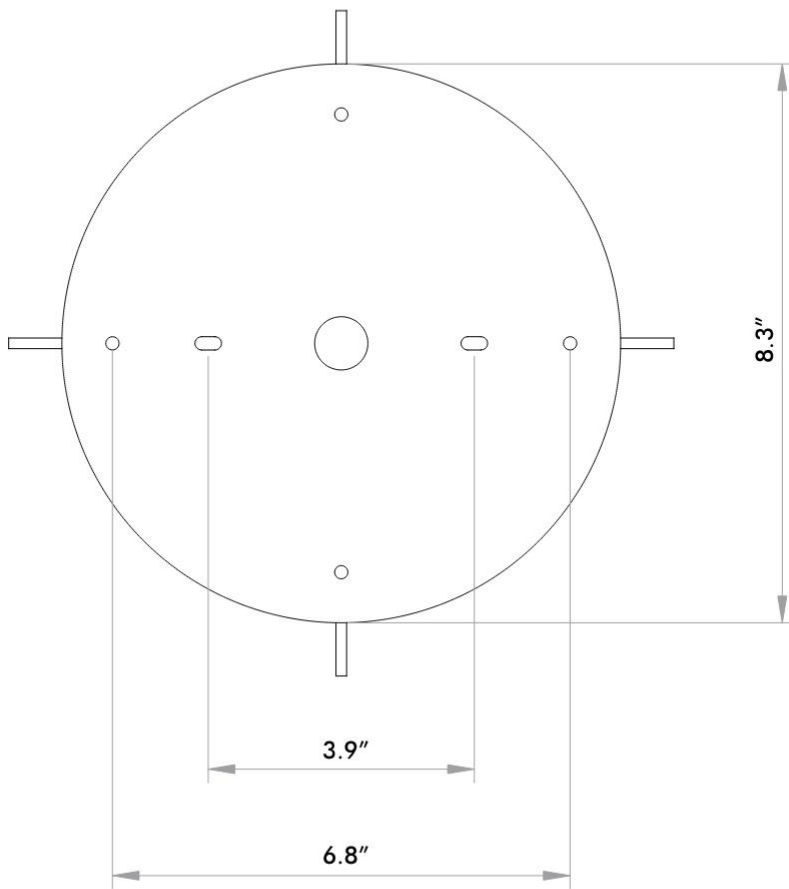
Driver mounted in ceiling rose.

Handmade in England



# MARTIN HUXFORD

## FACET CEILING FIXING



Depth: 1.6"