

GARDE

FACET CHANDELIER

The Facet is a major new centrepiece chandelier, handcrafted in bronze and alabaster. Four decorative faceted pieces of sculpted bronze are positioned around the suspended ring of illuminated alabaster, creating a unique lighting focal point.

Shown in Dark Bronze.

Dimensions

Height 20cm 8" plus custom length drop rods
Diameter 114cm 45"
Weight 32kg 70lbs

Finishes

Bronze, Dark Bronze

Materials

Alabaster, Cold cast Bronze

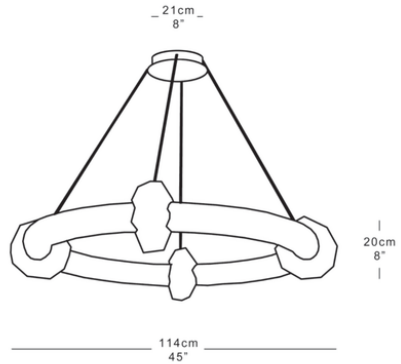
Dimming

Triac leading or trailing edge

Lamping

Integrated 60W LED light tube
Requires 24V 80W LED driver mounted in canopy.

Handmade in England



GARDE

CEILING FITTING

