

# MARTIN HUXFORD

## CHARLESTON WALL LIGHT

The hand sculpted Charleston sconce captures the decorative spirit of Bloomsbury, combined with the formal restraint and simple lines of Neoclassical design to create a compelling piece. The Charleston is equally at home in country houses and modern interiors.

Shown in Plaster White.

### Dimensions

Height 34cm 13.5"

Width 29cm 11.5"

Depth 8cm 3"

Weight 3kg 7lbs

### Finishes

Plaster White

### Materials

Hand-cast Jesmonite

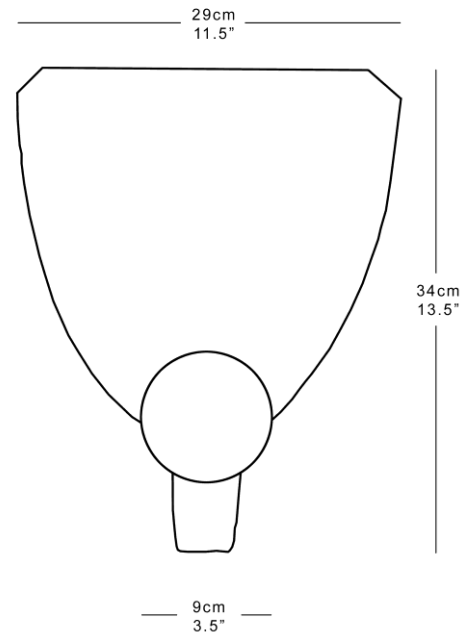
### Dimming

Yes

### Lamping

E12 LED Max 7W 120V

Handmade in England



# MARTIN HUXFORD

