

# Cirque Wall Column

CQWACM



## Materials

Transparent borosilicate glass and hand finished brass.

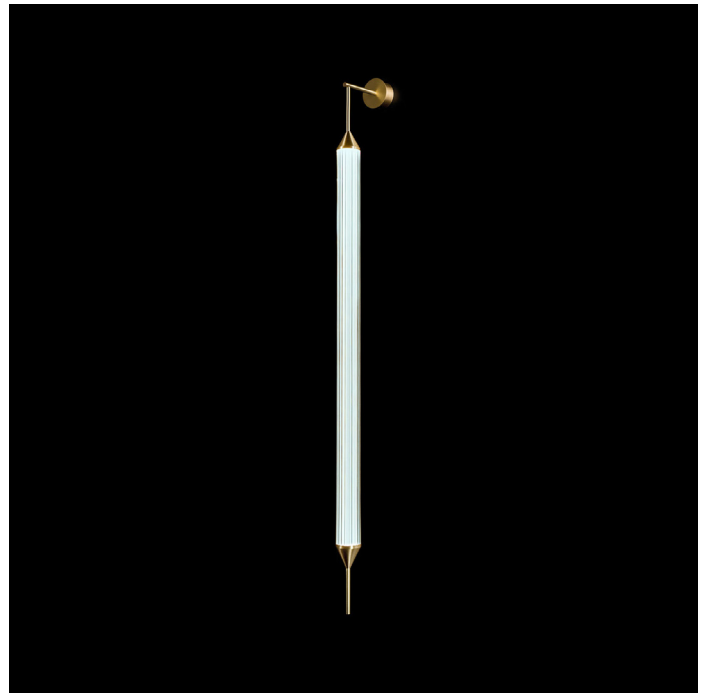
## Power Input

110-120V 50-60Hz

## Light Source (included)

2 Proprietary Cirque LEDs.  
9W, 800Lumens, 2700K warm white.  
CRI>95.

Custom vertical frame dimension available on request.

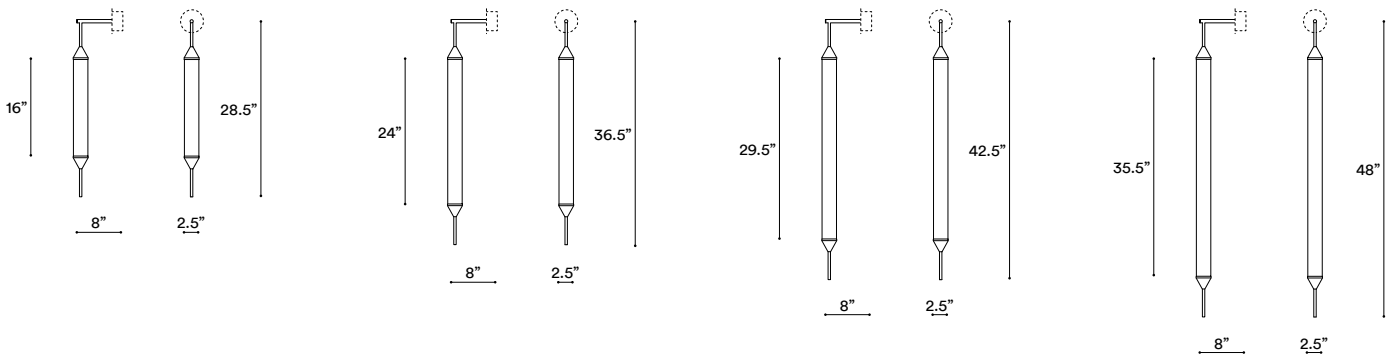


CIRQUE WALL COLUMN 90

## CONFIGURATION

### STEP 1 - CHOOSE YOUR SIZE

SIZE (UNIT: IN)



Weight incl. canopy ~5.5 lbs

CQWACM40

Weight incl. canopy ~7 lbs

CQWACM60

Weight incl. canopy ~8 lbs

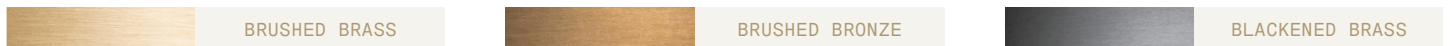
CQWACM75

Weight incl. canopy ~8.5 lbs

CQWACM90

### STEP 2 - CHOOSE YOUR METAL FINISH

METAL FINISH

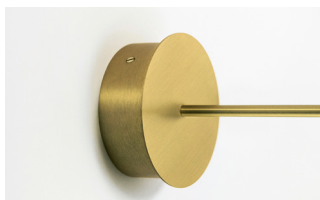


### STEP 3 - CHOOSE YOUR CANOPY AND DRIVER

CANOPY AND DRIVER

+ Single canopy with built-in phasecut driver. Recommended.

Ø5.5" X H1.5"

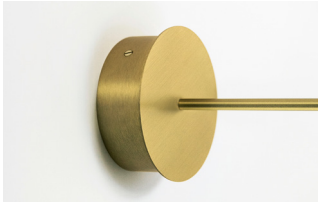


MATCHING FINISH

PHASECUT

+ **Single canopy with built-in driver and alternative dimmable standard**, if required by electrician.

Ø5.5" X H1.5"



MATCHING FINISH

1-10 VOLT

## Brushed Brass

Brass hand finished with horizontal brushing. Protected with a semi-gloss transparent coating.

## Brushed Bronze

Brass with accelerated aging to become a bronze finish. Hand finished with horizontal brushing. Protected with a semi-matt transparent coating.

## Blackened Brass

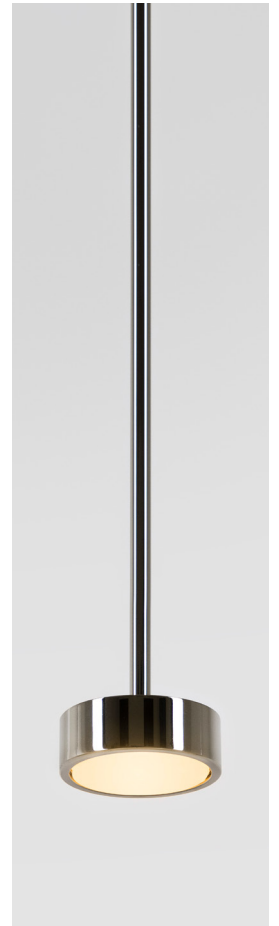
Brass with accelerated aging to become an extra dark chocolate finish. Hand finished with horizontal brushing. Protected with a semi-matt transparent coating.

## Brushed Nickel

Electroplated nickel over Brass with horizontal brushing. Protected with a semi-gloss transparent coating.

## Polished Nickel

Electroplated Nickel over polished brass. Protected with a semi-gloss transparent coating.



## Custom Finish

Our products can be customized with most metal finishes, please check with our design advisors if you have any particular requirement.

Please advise if our products are to be installed close to air conditioning vents or in windy or salty air conditions.