

# Cirque Chandelier Gradient Large

CQCHGA0L

 IP20

## Materials

Transparent borosilicate glass and hand finished brass.

## Weight incl. canopy

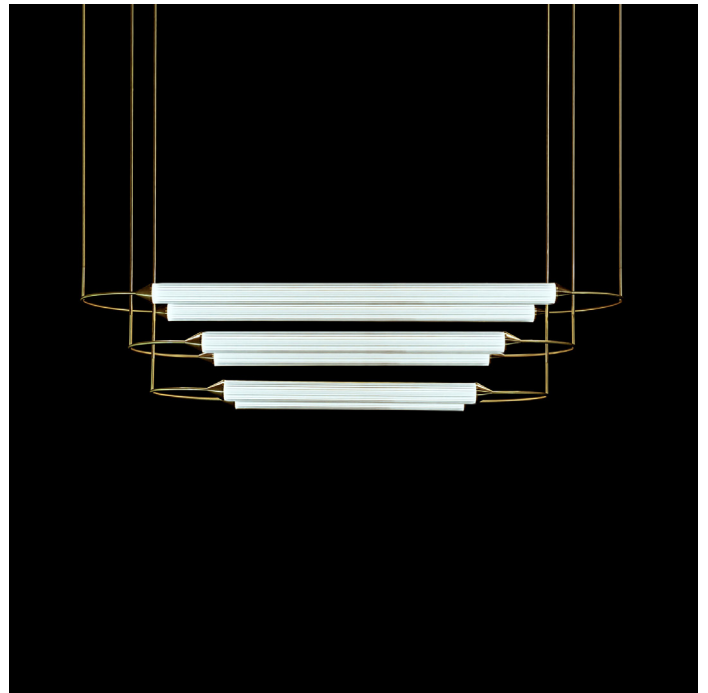
~35.5 lbs

## Power Input

110-120V 50-60Hz

## Light Source (included)

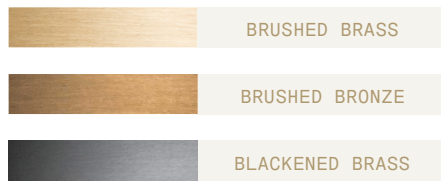
12x Proprietary Cirque LEDs.  
54W, 4800 Lumens, 2700K warm white.  
CRI>95.



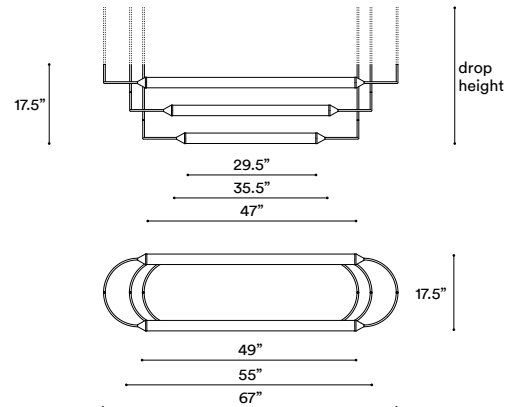
CIRQUE CHANDELIER GRADIENT LARGE

## CONFIGURATION

### STEP 1 - CHOOSE YOUR METAL FINISH



### SIZE (UNIT: IN)



### STEP 2 - CHOOSE YOUR DROP HEIGHT

DROP HEIGHT

## Metal tube suspension

Specify your Drop height in inches to our sales team.

Note:

No cable showing  
Not adjustable on site  
Minimum: 20"

MADE TO ORDER

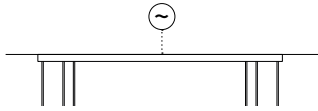
+ **Single canopy with built-in phasecut driver.** Recommended.

W69" X D4.5" X H2"



MATCHING FINISH

PHASECUT



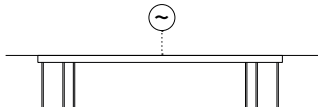
+ **Single canopy with built-in driver and alternative dimmable standard,** if required by electrician.

W69" X D4.5" X H2"



MATCHING FINISH

1-10 VOLT



+ **4 Canopies with built-in driver.** This requires electrician's approval. Requires 3 cable entrances.

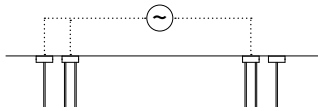
Ø5" X H2"



MATCHING FINISH

PHASECUT

1-10 VOLT



# Cirque Chandelier Gradient Medium

CQCHGA0M

 IP20

## Materials

Transparent borosilicate glass and hand finished brass.

## Weight incl. canopy

~26.5 lbs

## Power Input

110-120V 50-60Hz

## Light Source (included)

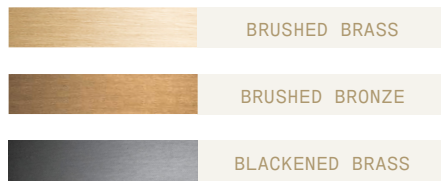
12x Proprietary Cirque LEDs.  
54W, 4800 Lumens, 2700K warm white.  
CRI>95.



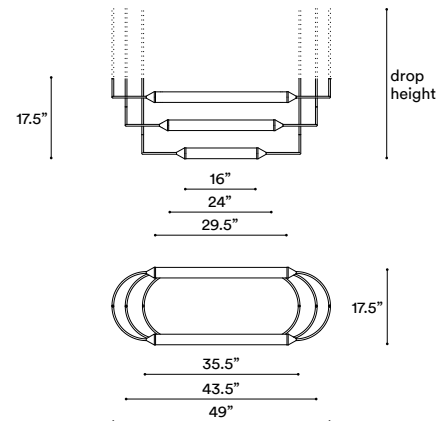
CIRQUE CHANDELIER GRADIENT MEDIUM

## CONFIGURATION

### STEP 1 - CHOOSE YOUR METAL FINISH



### SIZE (UNIT: IN)



### STEP 2 - CHOOSE YOUR DROP HEIGHT

DROP HEIGHT

## Metal tube suspension

Specify your Drop height in inches to our sales team.

Note:

No cable showing  
Not adjustable on site  
Minimum: 20"

MADE TO ORDER

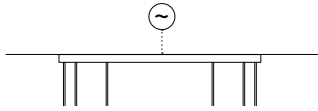
+ **Single canopy with built-in phasecut driver.** Recommended.

W51" X D4.5" X H2"



MATCHING FINISH

PHASECUT



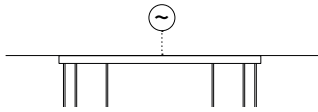
+ **Single canopy with built-in driver and alternative dimmable standards,** if required by electrician.

W51" X D4.5" X H2"



MATCHING FINISH

1-10 VOLT



+ **4 Canopies with built-in driver.** This requires electrician's approval. Requires 3 cable entrances.

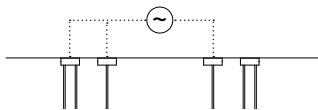
Ø5" X H2"



MATCHING FINISH

PHASECUT

1-10 VOLT



# Cirque Chandelier Pivot Extra Large

CQCHPVXL

 IP20

## Materials

Transparent borosilicate glass and hand finished brass.

## Weight incl. canopy

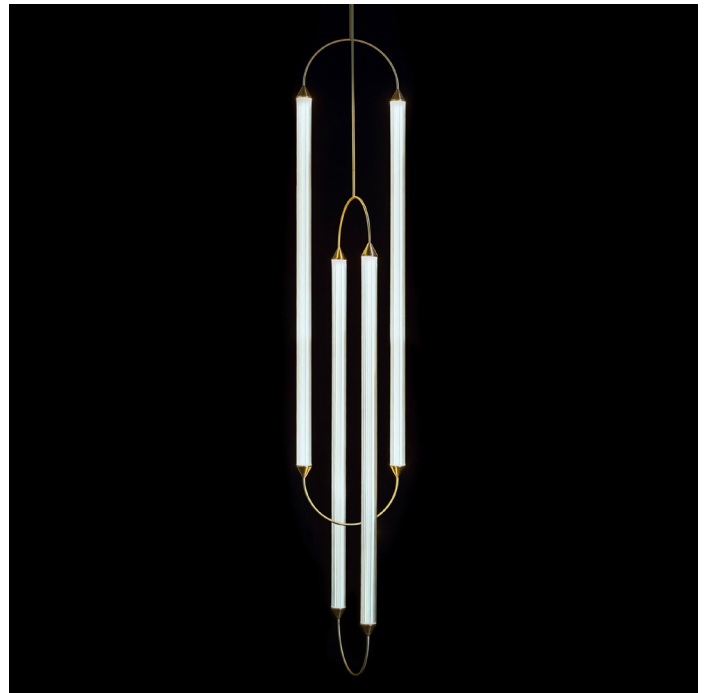
~31 lbs

## Power Input

110-120V 50-60Hz

## Light Source (included)

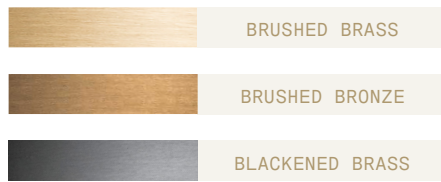
8x Proprietary Cirque LEDs.  
36W, 3200 Lumens, 2700K warm white.  
CRI>95.



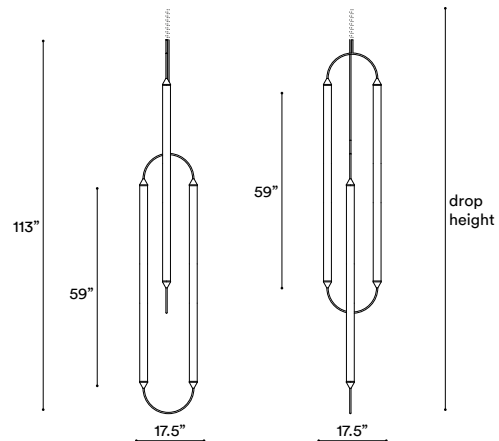
CIRQUE CHANDELIER PIVOT EXTRA LARGE

## CONFIGURATION

### STEP 1 - CHOOSE YOUR METAL FINISH



### SIZE (UNIT: IN)



### STEP 2 - CHOOSE YOUR DROP HEIGHT

DROP HEIGHT

## Metal tube suspension

Specify your Drop height in inches to our sales team.

## Note:

No cable showing  
Not adjustable on site  
Minimum: 115"

MADE TO ORDER

+ **Single canopy with built-in phasecut driver.** Recommended.

Ø7" X H2"



MATCHING FINISH

PHASECUT

+ **Single canopy with built-in driver and alternative dimmable standard,** if required by electrician.

Ø7" X H2"



MATCHING FINISH

1-10 VOLT

## Brushed Brass

Brass hand finished with horizontal brushing. Protected with a semi-gloss transparent coating.

## Brushed Bronze

Brass with accelerated aging to become a bronze finish. Hand finished with horizontal brushing. Protected with a semi-matt transparent coating.

## Blackened Brass

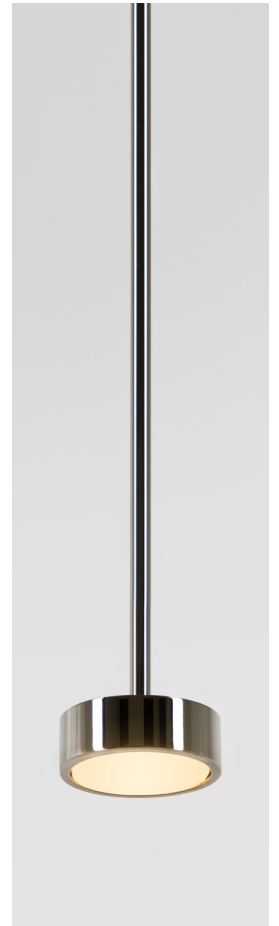
Brass with accelerated aging to become an extra dark chocolate finish. Hand finished with horizontal brushing. Protected with a semi-matt transparent coating.

## Brushed Nickel

Electroplated nickel over Brass with horizontal brushing. Protected with a semi-gloss transparent coating.

## Polished Nickel

Electroplated Nickel over polished brass. Protected with a semi-gloss transparent coating.



## Custom Finish

Our products can be customized with most metal finishes, please check with our design advisors if you have any particular requirement.

Please advise if our products are to be installed close to air conditioning vents or in windy or salty air conditions.