

MARTIN HUXFORD

BIRDIE DOUBLE SCONCE

With an appealing duo of Birdie shades, this abstract design references the joie de vivre of Alexander Calder's playful mobile sculptures. The tilting movement of the Birdie shades allows for directional lighting.

Shown in bronze.

Dimensions

Height 42cm 16.5"
Width 34cm 13"
Depth 24cm 9"
Weight 1.2kg 2.5lbs

Finishes

Black arms with shade and detail elements in satin brass, antique brass and bronze.

Materials

Solid brass and powder coated steel.

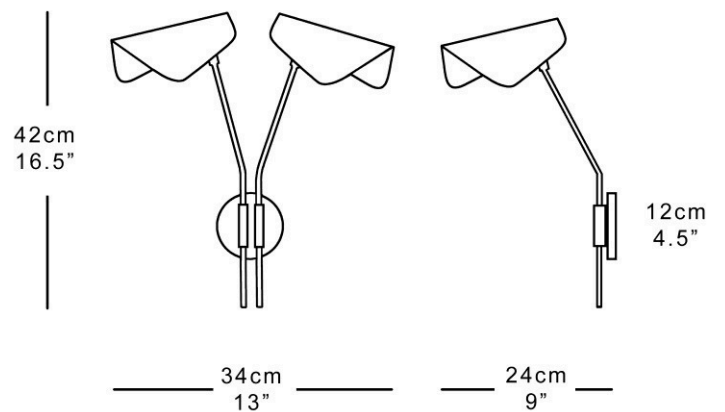
Dimming

Yes

Lamping

2x G9 LED 7W Max 120V

Handmade in England



MARTIN HUXFORD

WALL FITTING

