

GARDE

BREUER DOUBLE PENDANT

Martin Huxford's Breuer Chandelier is a luxurious modernist chandelier, taking the iconic tubular Wassily chair by Marcel Breuer as its guiding inspiration. The linear grid structure mimics the elegant harmony of a classic chandelier, with the formal silk shades and solid brass links adding a luxurious decorative touch.

Shown in black with antique brass details & grey cotton shades.

Dimensions

Height 60-100cm 24-39"

Length 109cm 43"

Width 29cm 11.5"

Weight 5kg 11lbs

Shade: 33x11cm 13x4.5"

Finishes Available

Available in any RAL colour with details in satin brass, antique brass, bronze or nickel.

Materials

Solid brass and powder coated steel.

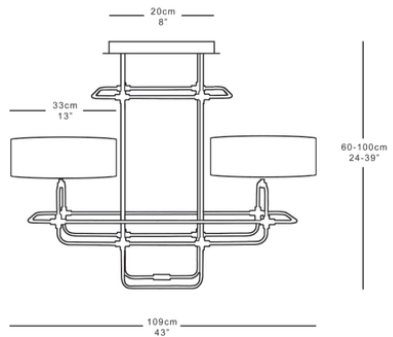
Dimming

Yes

Lamping

2x E12 LED Max 7W 120V

Made in England



GARDE

CEILING FITTING

