

# GARDE

## BREUER 4-ARM CHANDELIER

Architectural, linear and modernist in style, the Breuer Chandelier Collection wears its innovative structure on the outside, like a refined Lloyds building, or the iconic Pompidou Centre. Martin traces his original inspiration even earlier, to the iconic Wassily chair design by Bauhaus legend Marcel Breuer. The result is a uniquely elegant architectural chandelier, with a formal linear grid structure, emboldened with decorative flourishes of solid brass links and fabric. The Breuer Chandelier is a celebration of elegant masculine style, and whilst the inside-out grid system evokes modern urban architecture, the overall structure of the Breuer chandelier is very classical. The symmetrical design mimics the elegant harmony of a traditional chandelier, complete with decorative formal fabric shades and solid brass decorative touches.



Shown in black with satin brass details & stone cotton shades.

### Dimensions

Height 60-100cm 24-39"

Length 109cm 43"

Width 109cm 43"

Weight 8kg 18lbs

Shade: 33x11cm 13x4.5"

### Finishes Available

Available in any RAL colour with details in satin brass, antique brass, bronze or nickel.

### Materials

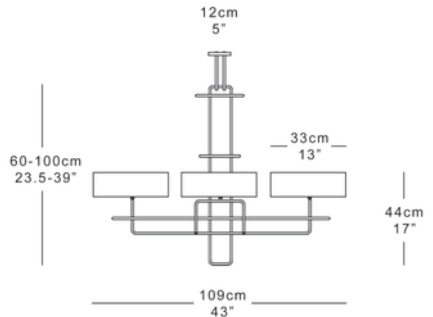
Solid brass and powder coated steel.

### Dimming

Yes

### Lamping

4x E12 LED Max 7W 120V



Made in England

# GARDE

## CEILING FITTING

