

MARTIN HUXFORD

BIRDIE FLIGHT CHANDELIER

The modernist Birdie Flight Chandelier is an abstract poetic design, a flight of fancy which suggests the movement of birds in flight. Movement and change lie at the heart of this elegant design, the articulated arms and Birdie shades allowing the shape of the chandelier to be constantly refreshed. The stylised Birdie lights, and the three horizontal branch arms, can all be rotated, moved vertically and re-ordered, to create an ever changing graphic visual pattern.

Shown in bronze.

Dimensions

Medium	XL
Height 100cm 39"	Height 100cm 39"
Width 120cm 47"	Width 200cm 78"
Weight 6kg 13lbs	Weight 7kg 15lbs

Finishes Available

Black arms with satin brass, antique brass or bronze shade and details.

Materials

Solid brass and powder coated steel.

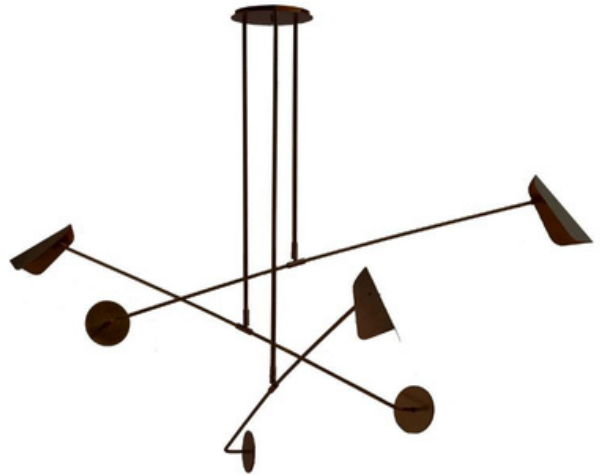
Dimming

Yes

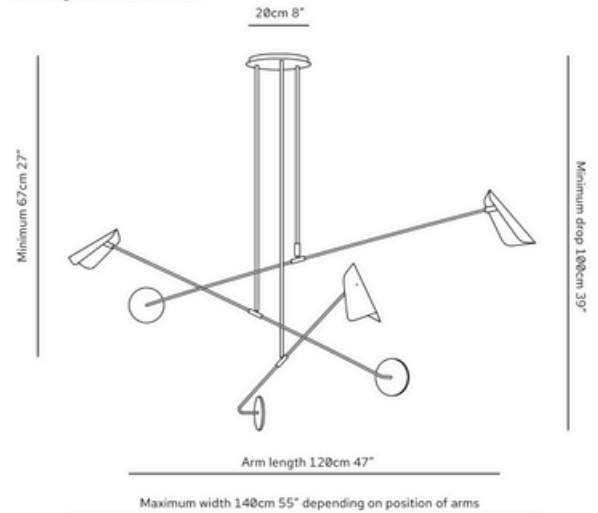
Lamping

3x G9 LED Max 7W corn cob 120V

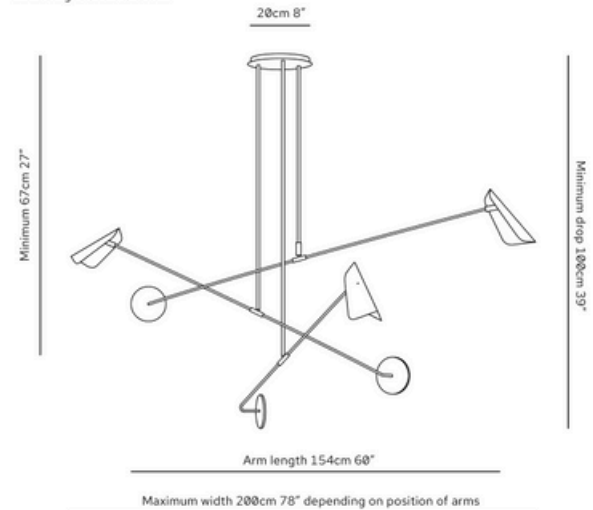
Made in England



Birdie Flight Chandelier Medium



Birdie Flight Chandelier XL



MARTIN HUXFORD

CEILING FITTING

