

# GARÐE

## BIBENDUM OVAL CHANDELIER

Martin Huxford has designed an oval shaped frame for his latest Bibendum chandelier, elongating the signature curvaceous form to create an imposing and elegant light fitting. The two hand shaped oval brass frames, create the elliptical form which holds the multiple shades, giving this design its distinctive, modernist look.

Shown in satin brass with charcoal cotton shades.



### Dimensions

Height 21cm 8"

Length 120cm 47"

Width 62cm 24.5"

Shades 15cm x 13cm 6" x 5"

Weight 8.5kg 19lbs

### Finishes

Satin brass, antique brass, bronze or nickel.

### Materials

Solid brass

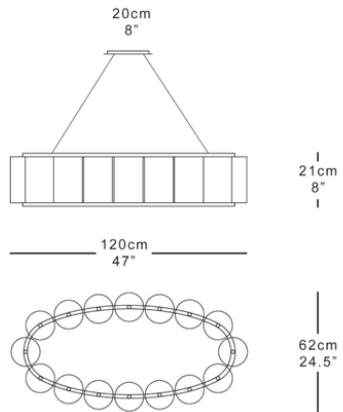
### Dimming

Yes

### Lamping

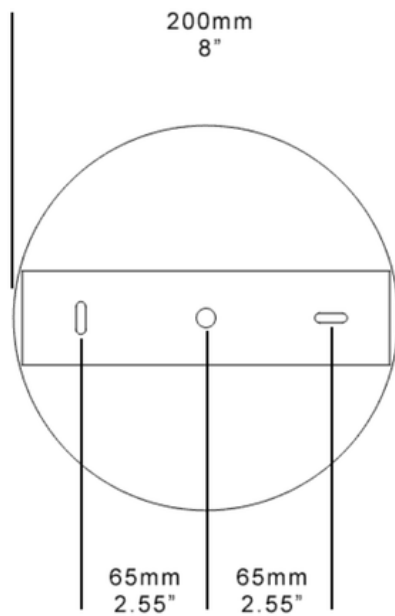
16x E12 LED 7W Max 120V

Handmade in England



# GARDE

## CEILING FITTING



# GARDE

## Cotton Shade Colours



Black



Charcoal



Granite



Storm



Grey



Aubergine



Claret



Cadet



Light Bronze



Kelp



Taupe



Chocolate



Mushroom



Sand



Dijon



Natural



White