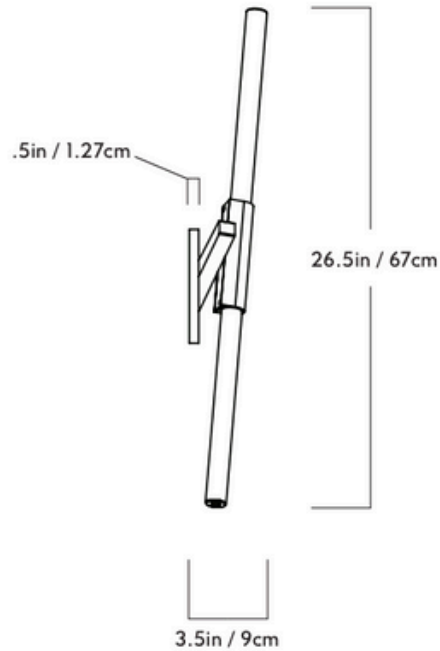
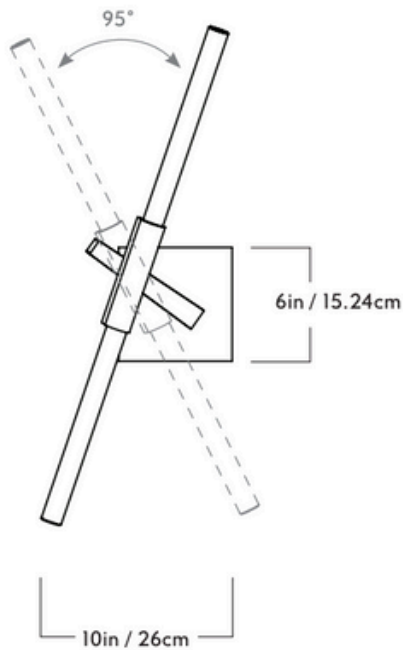


# GARDE



## Agnes

## Sconce - 2 Lights

**Series**  
Agnes

**Product**  
Sconce - 2 Lights

**Dimensions**  
H 26.5in / 67cm x W 10in / 26cm x  
D 3.5in / 9cm

**Weights**  
4.5lb / 2kg

**Materials**  
Machined aluminum, glass

**Finishes**  
Black, bronze, polished nickel,  
brushed brass

**Back Plate**  
6-inch square in matching metal finish

**Adjustable Socket Cup**  
Up to 95° tilt

**Certifications**  
UL, cUL(120V)  
CE, CB(240V)

**R&H LED Bulb (120V)**  
Socket: G9  
Bulb: 2 x 3 Watt LED  
Wattage: 6 Watts  
Lumens: 200 Lumens est.  
Color Temperature: 2700K  
CRI: 90+  
Bulb Lifetime: 50,000 Hours est.  
Dimming: TRIAC, ELV

**R&H LED Bulb (240V)**  
Socket: G9  
Bulb: 2 x 3 Watt LED  
Wattage: 6 Watts  
Lumens: 200 Lumens est.  
Color Temperature: 2700K  
CRI: 90+  
Bulb Lifetime: 50,000 Hours est.  
Dimming: TRIAC, ELV

**Fixture Mounting**  
Designed to be mounted on standard  
4in. Electrical Box.  
Two #8-32 screws included.  
Additional mounting hardware provided  
for 240V versions.