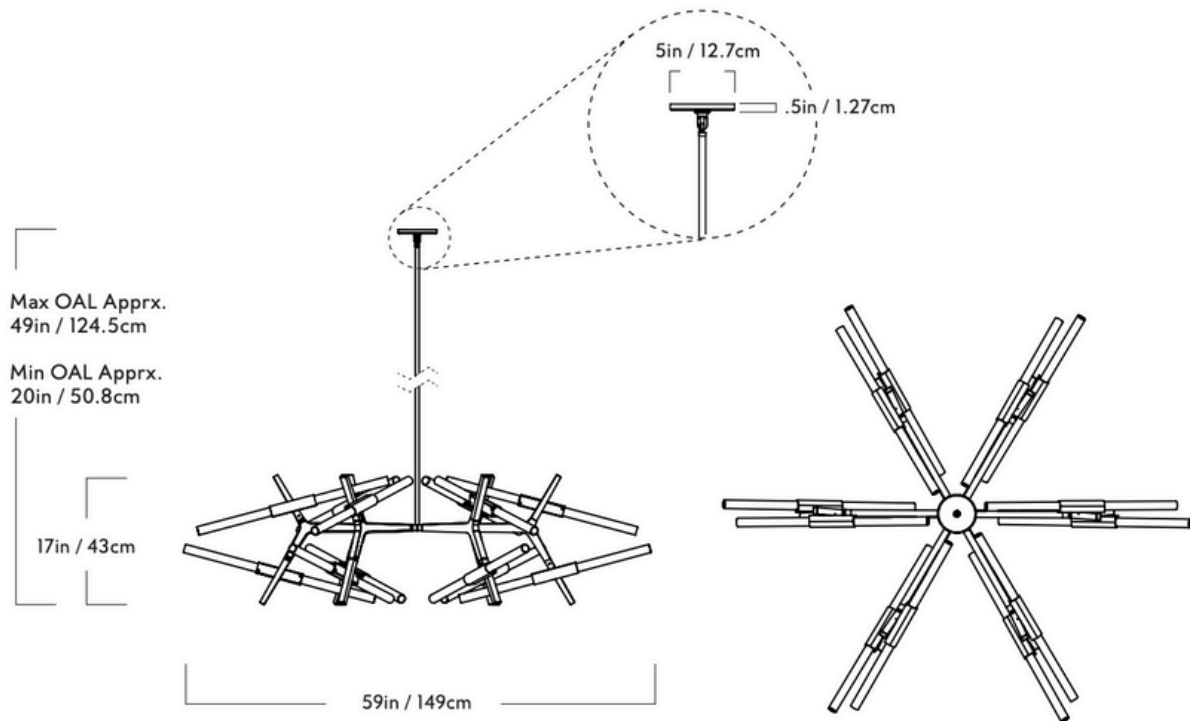


GARDE



Astral Agnes

03- 24 Lights

Series

Astral Agnes

Product

03- 24 Lights

Dimensions

L 59in / 149cm x W 59in / 149cm x
H 49in / 124.5cm

Weights

20lb / 9kg

Materials

Machined aluminum, glass

Finishes / Colors

Black, bronze, polished nickel,
brushed brass

Suspension

½-inch aluminum stem in matching
metal finish. Ships with 35-inch length
included with lamp. 72-inch length
available for additional cost.
Stem length can be adjusted on site.

Canopy

5-inch canopy in matching metal finish

Ceiling Slope

0° - 90° mounting slope.
Up to 90° variable hang-straight
available upon request.

Certifications

UL, cUL (120V)
CE, CB (240V)

R&H LED Bulb (120V)

Socket: G9
Bulb: 24 x 3 Watt LED
Wattage: 72 Watts
Lumens: 2400 Lumens est.
Color Temperature: 2700K
CRI: 90+
Bulb Lifetime: 50,000 Hours est.
Dimming: TRIAC, ELV

R&H LED Bulb (240V)

Socket: G9
Bulb: 24 x 3 Watt LED
Wattage: 72 Watts
Lumens: 2400 Lumens est.
Color Temperature: 2700K
CRI: 90+
Bulb Lifetime: 50,000 Hours est.
Dimming: ELV

Fixture Mounting

Designed to be mounted on standard
4in. Electrical Box.
Two #8-32 screws included.
Additional mounting hardware provided
for 240V versions.