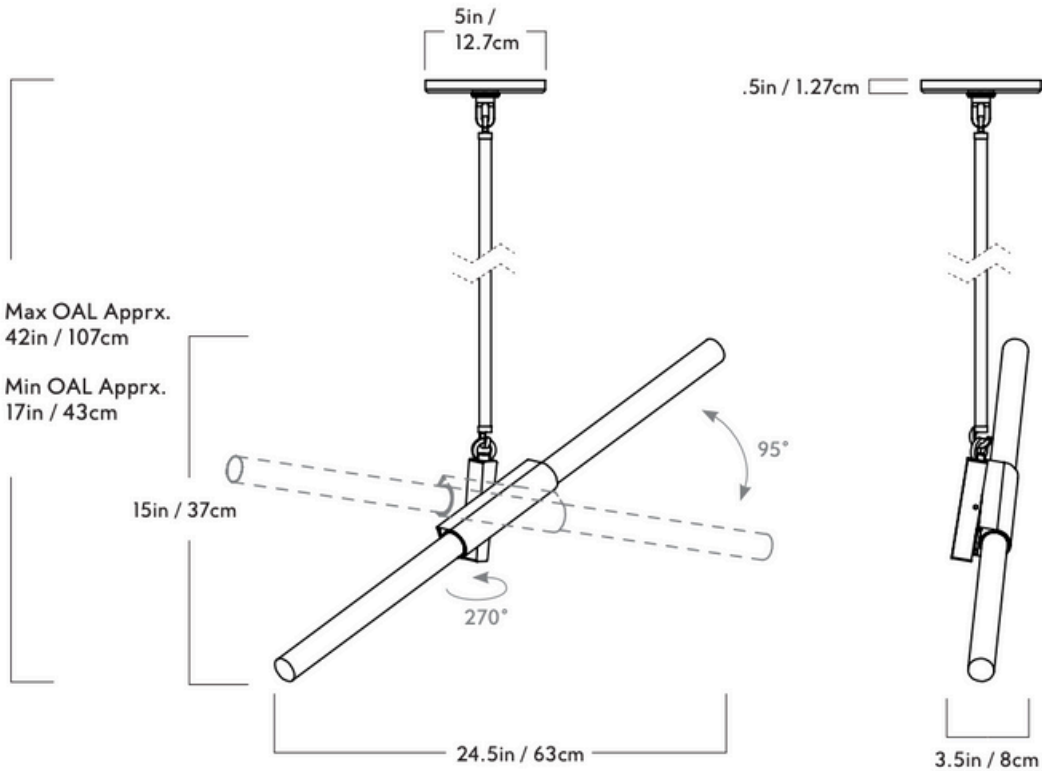


GARDE



Agnes

Pendant- 2 Lights

Series

Agnes

Product

Pendant- 2 Lights

Dimensions

L 24.5in / 63cm x W 3.5in / 8cm x H 15in / 37cm

Weights

2lb / 0.9kg

Materials

Machined aluminum, glass

Finishes

Black, bronze, polished nickel, brushed brass

Suspension

1/2-inch aluminum stem in matching metal finish. Ships with 35-inch length included with lamp. 72-inch length available for additional cost. Stem length can be adjusted on site.

Canopy

5-inch canopy in matching metal finish

Ceiling Slope

0° - 90° mounting slope.

Adjustable Socket Cup

Up to 95° tilt

Adjustable Tip Rotation

Up to 270° rotation

Certifications

UL, cUL(120V)
CE, CB(240V)

R&H LED Bulb (120V)

Socket: G9
Bulb: 2 x 3 Watt LED
Wattage: 6 Watts
Lumens: 200 Lumens est.
Color Temperature: 2700K
CRI: 90+
Bulb Lifetime: 50,000 Hours est.
Dimming: TRIAC, ELV

R&H LED Bulb (240V)

Socket: G9
Bulb: 2 x 3 Watt LED
Wattage: 6 Watts
Lumens: 200 Lumens est.
Color Temperature: 2700K
CRI: 90+
Bulb Lifetime: 50,000 Hours est.
Dimming: TRIAC, ELV

Fixture Mounting

Designed to be mounted on standard 4in. Electrical Box.
Two #8-32 screws included.
Additional mounting hardware provided for 240V versions.