

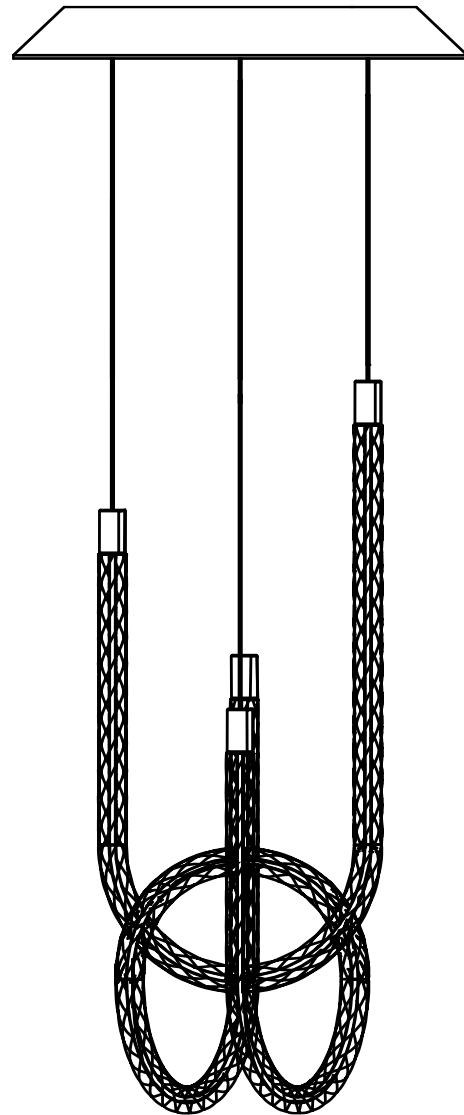
TORSADE 2 LIGHTS SUSPENSION TECHNICAL DATA SHEET



FEATURES

Product name	TORSADE 2L
Code	79230600aa aa = Ø: standard version / CN: China version / JP: Japan version / SA: Middle East version / TW: Taiwan version / KC: Korea version / MA: Morocco version / GB: United Kingdom version / US: USA version
Variation	DALI (EUROPE, CN, SA, EG, MA and GB VERSION) 1-10V (US and JP VERSION)
Material	Crystal, aluminum, wood, drivers
Electrical class	Class I
Voltage	220-240V / 50-60Hz (EUROPE, CN, SA, EG, MA and GB VERSION) 100-240V / 50-60Hz (US and JP VERSION)
IP	20
Mounting	hanging

SILHOUETTE



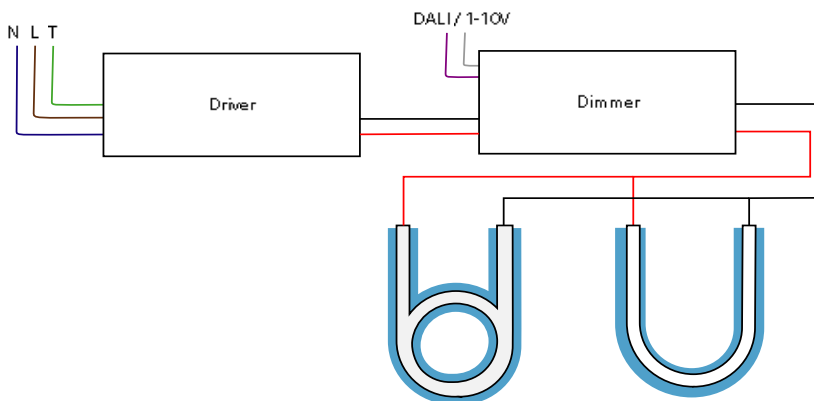
DIMENSIONS

Diameter	Ø 40cm (Ø 15.7in) adjustable from 105cm to 255cm (41.3-100.4in)
Height	100.4in
Weight	8kg

INCLUDED SOURCES

Category	Strip LED
Quantity	2
Watt	40W max.
Colour temperature	Warm White

ELECTRIC DIAGRAM



MAINTENANCE

