

TORSADE 1 LIGHT SUSPENSION

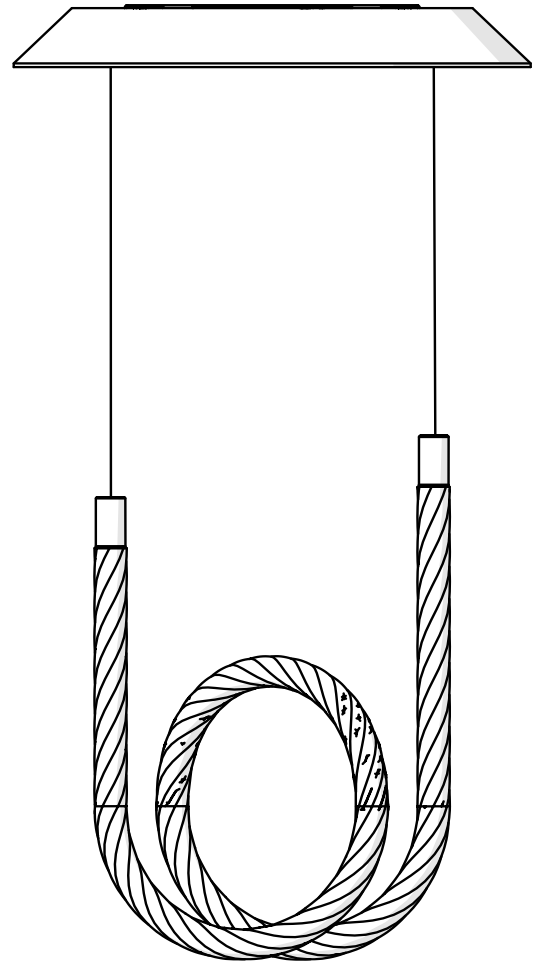
TECHNICAL DATA SHEET



FEATURES

Product name	TORSADE 1L
Code	79230500aa aa = Ø: standard version / CN: China version / JP: Japan version / SA: Middle East version / TW: Taiwan version / KC: Korea version / MA: Morocco version / GB: United Kingdom version / US: USA version
Variation	DALI (EUROPE, CN, SA, EG, MA and GB VERSION) 1-10V (US and JP VERSION)
Material	Crystal, aluminum, wood, drivers
Electrical class	Class I
Voltage	220-240V / 50-60Hz (EUROPE, CN, SA, EG, MA and GB VERSION) 100-240V / 50-60Hz (US and JP VERSION)
IP	20
Mounting	hanging

SILHOUETTE



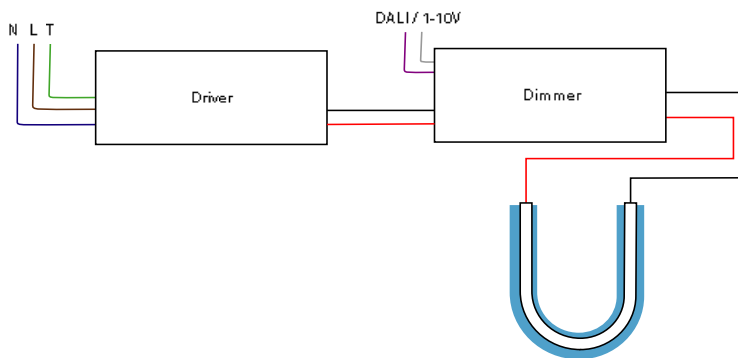
DIMENSIONS

Diameter	Ø 40cm (Ø 15.7in) adjustable from 80cm to 230cm (31.5-90.6in)
Height	6kg
Weight	

INCLUDED SOURCES

Category	Strip LED
Quantity	1
Watt	25W max.
Colour temperature	Warm White

ELECTRIC DIAGRAM



MAINTENANCE

