

table 280

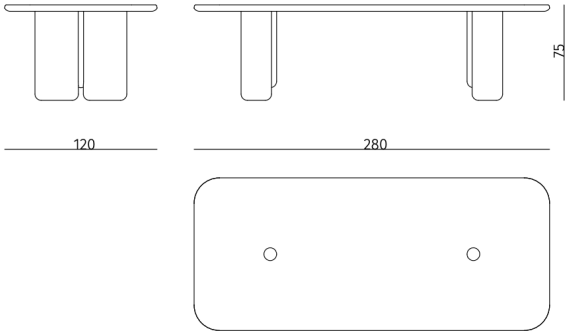


table 300

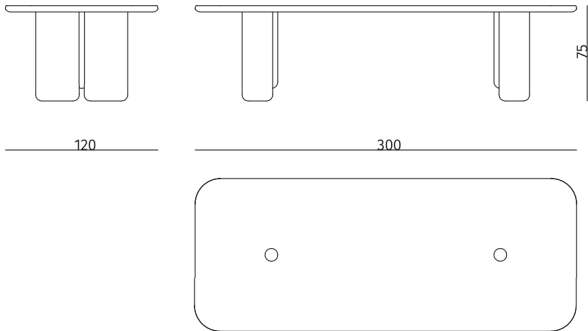
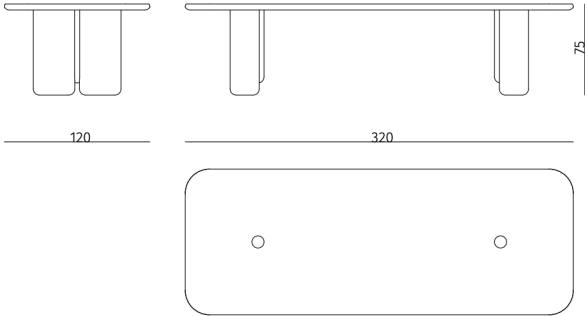


table 320





CH.099.005.B
brushed oak / matt



CH.032.005.B
brushed oak / matt



CH.071.005.B
brushed oak / matt



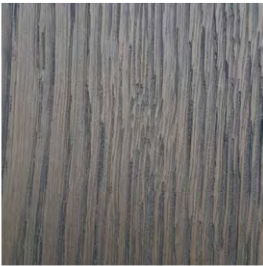
CH.101.005.B
brushed oak / matt



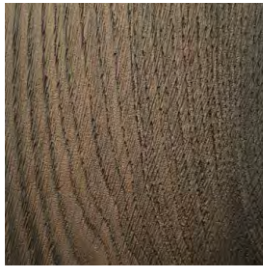
CH.205.005.B
brushed oak / matt



CH.044.005.B
brushed oak / matt



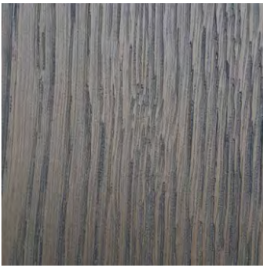
CH.107.005.B
brushed oak / matt



CH.762.005.B
smoked brushed oak / matt



CH.841.005.B
brushed oak / matt



CH.177.005.B
brushed oak / matt



CH.853.005.B
brushed oak / matt



CH.892.005.B
brushed oak / matt



CH.099.005
smooth oak / matt



CH.010.005
smooth oak / matt



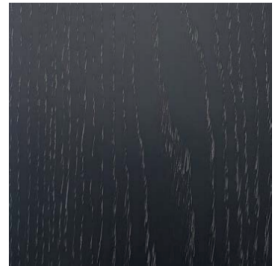
CH.563.005
smooth oak / matt



CH.072.005
smooth oak / matt



CH.097.005
smooth oak / matt



CH.284.005
smooth oak / matt



CH.912.005
smooth oak / oiled matt



CH.559.005.HY
hardened oak / matt