

Moonstone Pendant

MSPE

 IP20

Materials

Handmade fiberglass with marble dust finish, thermoformed glass with handmade Battuto finish.

Power Input

110-120V 50-60Hz

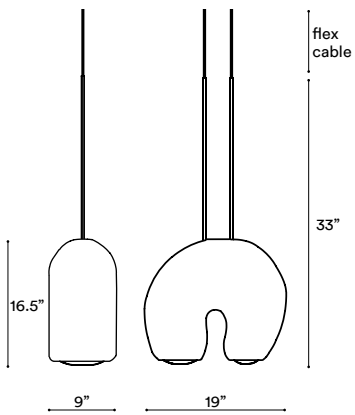


MOONSTONE PENDANT ARCH

CONFIGURATION

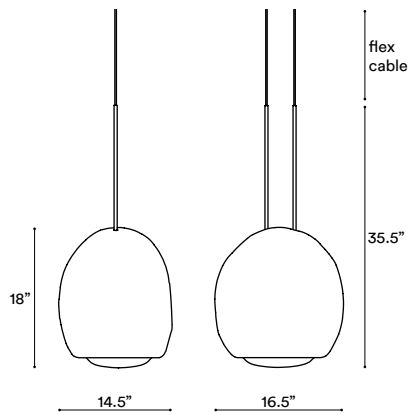
STEP 1 - CHOOSE YOUR MODEL

MODEL (UNIT: IN)



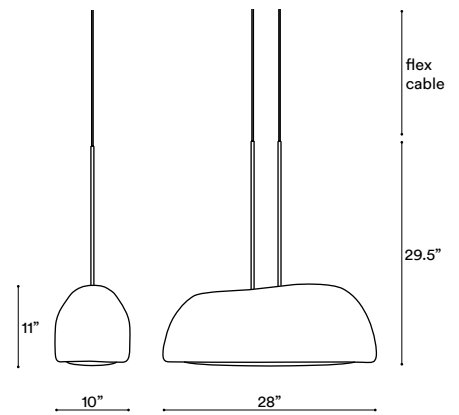
Light Source (not included):
2x GU10 Lightbulb, max. 8.3W
Weight included canopy:
~9 lbs
Minimum Drop Height:
24"

ARCH



Light Source (not included):
3x GU10 Lightbulb, maximum 8.3W
Weight included canopy:
~10 lbs
Minimum Drop Height:
27.5"

NEST

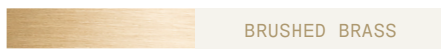


Light Source (not included):
4x GU10 Lightbulb, maximum 8.3W
Weight included canopy:
~11 lbs
Minimum Drop Height:
21"

SHELL

STEP 2 - CHOOSE YOUR METAL FINISH

METAL FINISH



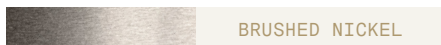
BRUSHED BRASS



BRUSHED BRONZE



BLACKENED BRASS



BRUSHED NICKEL

STEP 3 - CHOOSE YOUR SUSPENSION TYPE

SUSPENSION TYPE



Black Fabric Flex Cable

Drop height adjustable on site:

157"

393"



White Fabric Flex Cable

Drop height adjustable on site:

157"

393"



Metal tube

Specify your Drop height in inches to our sales team.

No cable showing
Not adjustable on site

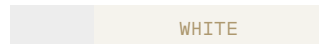
MADE TO ORDER

STEP 4 - CHOOSE YOUR CANOPY

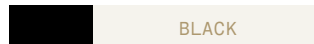
CANOPY

+ Single canopy.

Ø5" X H1.5"



WHITE

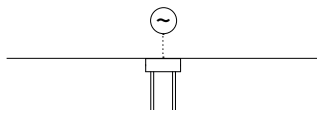


BLACK



MATCHING FINISH

*Custom Canopy Colour (RAL Classic) available on request



Brushed Brass

Brass hand finished with horizontal brushing. Protected with a semi-gloss transparent coating.

Brushed Bronze

Brass with accelerated aging to become a bronze finish. Hand finished with horizontal brushing. Protected with a semi-matt transparent coating.

Blackened Brass

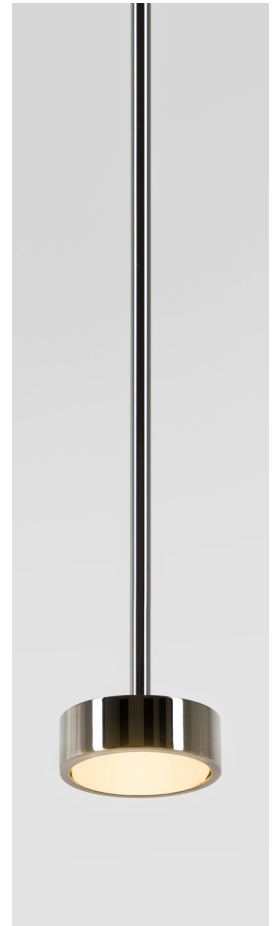
Brass with accelerated aging to become an extra dark chocolate finish. Hand finished with horizontal brushing. Protected with a semi-matt transparent coating.

Brushed Nickel

Electroplated nickel over Brass with horizontal brushing. Protected with a semi-gloss transparent coating.

Polished Nickel

Electroplated Nickel over polished brass. Protected with a semi-gloss transparent coating.



Custom Finish

Our products can be customized with most metal finishes, please check with our design advisors if you have any particular requirement.

Please advise if our products are to be installed close to air conditioning vents or in windy or salty air conditions.